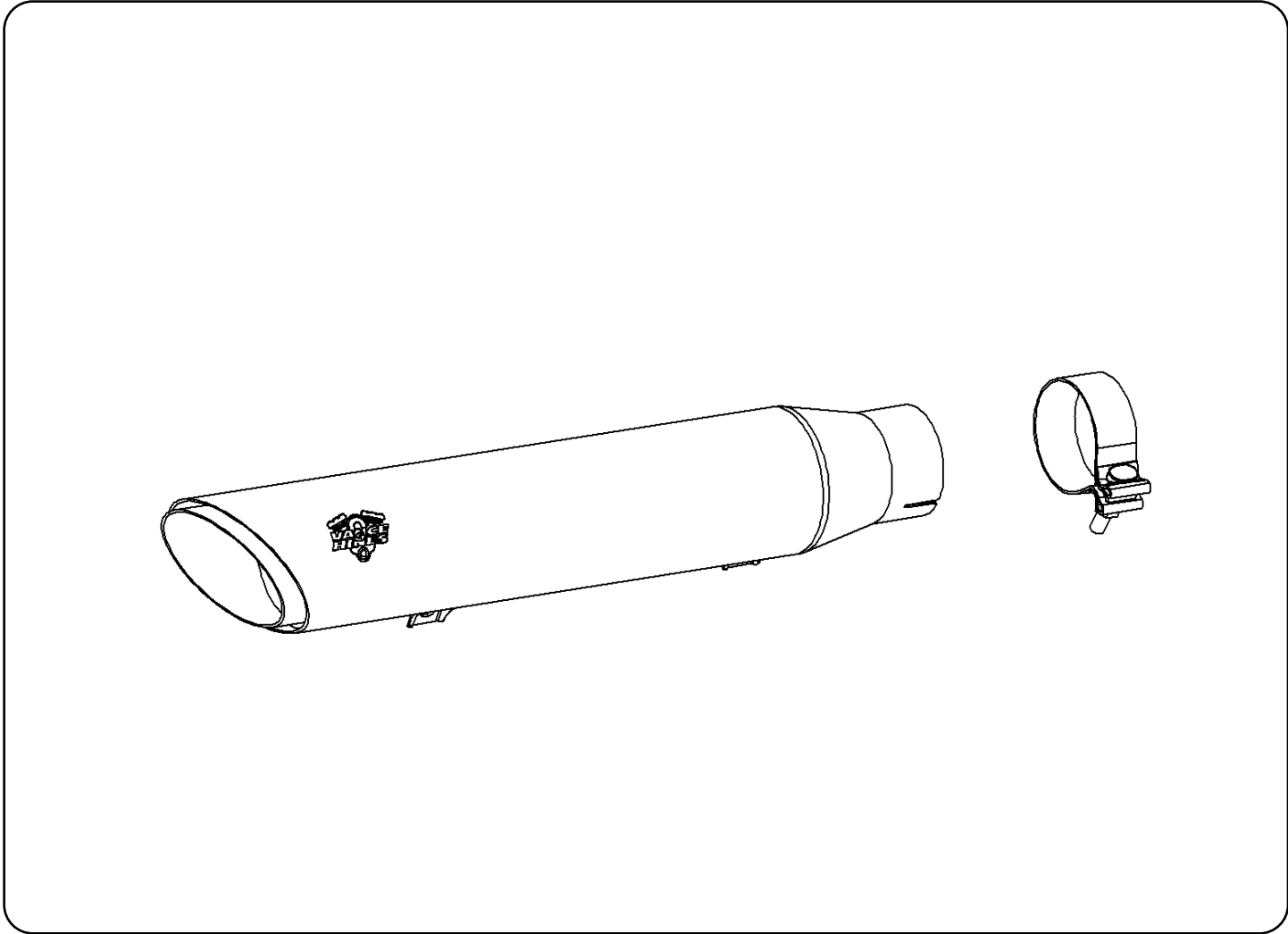




**INSTALLATION INSTRUCTIONS:  
2025+ HARLEY-DAVIDSON SOFT TAIL  
TWIN SLASH SLIPON  
PART# 16750 / 46750**

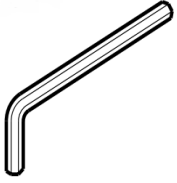
Congratulations, you have purchased the finest exhaust system available for your motorcycle. Your Vance & Hines exhaust is designed and crafted for performance, quality, and style. Please follow the instructions below, check exhaust system for missing or damaged parts and if you need any assistance please contact our technical support line (562) 921-7461.



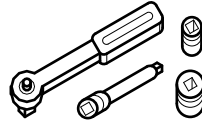
**PARTS LIST**

NO.	PART #	Description	QTY
1	16750 / 46750	MUFFLER CAN ASSY	1
2	A1008HW	CLAMP 3.00 - 3.25 TORCA	1

## TOOLS REQUIRED



Allen Wrenches:  
3/16"



9/16" Drive Ratchet w/ 16mm Deep  
Socket

## STOCK EXHAUST SYSTEM REMOVAL

1. OPTIONAL: Head pipes may need to be loosened from cylinder head slightly in order for proper fitment during reinstallation.
2. Loosen the muffler clamp on the front of stock muffler.
3. Remove the two 1/4-20 bolts securing the mufflers to the stock muffler bracket. Save hardware for re-use.
4. Remove the stock muffler by sliding it rearward off the stock header. NOTE: Penetrating oil may be required to loosen muffler from head pipe.

## VANCE & HINES EXHAUST INSTALLATION

**NOTE: Use appropriate Hardey-Davidson service manual procedures when referring to exhaust installation.**

1. Remove the mufflers from their protective packaging.
2. Install the Torca clamp over the muffler inlet so that the nut is facing downward.  
NOTE: Leave loose at this time.
3. Slide the muffler onto the head pipe.
4. Align and attach the muffler body to the mounting bracket using the stock hardware.  
NOTE: Leave loose at this time
5. Retighten head pipe if necessary.
6. Align muffler and tighten bolts securing muffler to mounting bracket.

### **EXHAUST CARE (BLACK)**

1. When installing a new set of black pipes, make sure your hands are clean and free of oil. After installation, thoroughly clean pipes with warm soapy water and a soft cloth. Dry with a clean towel to remove any residue before starting the motorcycle. Do NOT use anything abrasive to clean pipes.
2. Avoid long periods of idling as this can cause discoloration.
3. Intake leaks can cause the engine to run lean and overheat, this could lead to discoloration.
4. Make sure there are no exhaust leaks at the junction of the exhaust pipes and cylinder head. We recommend replacing gaskets if they are worn.

### **EXHAUST CARE (CHROME)**

1. When installing a new set of chrome pipes, make sure your hands are clean and free of oil. After installation, thoroughly clean pipes with a soft cloth and cleaning solvent that will leave no residue (glass cleaner, alcohol, acetone, etc...) before starting the motorcycle.
2. High performance engine tuning utilizing a dyno will likely result in severe discoloration.
3. Avoid long periods of idling as this can cause discoloration. Intake leaks can cause the engine to run lean and overheat and this could lead to discoloration.
4. Make sure there are no exhaust leaks at the junction of the exhaust pipes and cylinder head. We recommend replacing gaskets if they are worn.

#### Emissions Notice:

In California, in order to meet Air Resources Board emissions requirements, certain aftermarket part applications have been identified as replacements, and others have received ARB Executive Orders. All other emissions related aftermarket parts are for competition use only. A list of replacement parts and EO parts, and corresponding fitment is provided at [vanceandhines.com/california](http://vanceandhines.com/california).

#### Warranty:

All Vance & Hines products are warranted against defects in material and workmanship for a period of 90 days. This warranty does not cover discoloration or rust. This warranty shall be limited to the repair or replacement of the product, which may be proven defective under normal use. Vance & Hines will not warranty any system that has been abused, misused, improperly installed or modified.

Dealers or distributors are not authorized to make dispositions binding upon Vance & Hines. Vance & Hines will not be responsible for any labor charges incurred in removing or replacing any system under warranty. A return authorization number and a copy of the original purchase invoice must accompany all returns. Parts returned without a return authorization may be refused.

Please Note: Every effort is made for Vance & Hines Exhaust Systems to provide improved cornering clearance. However, due to design and space limitations on some motorcycle models, ground and cornering clearance may not be improved and in some cases may be reduced. Be sure to follow proper installation instructions.

13861 ROSECRANS AVENUE / SANTA FE SPRINGS, CA 90670

SALES: (562) 921-5388

TECHNICAL: (562) 926-5291

FAX: (562) 802-0110

**vanceandhines**  
**.com**