

# INSTALLATION INSTRUCTIONS

## DRAG SPECIALTIES LED TAIL/BRAKE LIGHT ASSEMBLY FOR 04-13 XL MODELS P/N 2010-0916/0917

**ATTENTION INSTALLER** (if other than owner): Please forward this Instruction Sheet to the purchaser of this product. These instructions contain valuable information necessary to the end user.

**INTRODUCTION:** These instructions describe the procedure for properly installing the LED running/brake light assembly in 09-13 XL883N, 07-13 XL1200N, 10-13 XL1200X and 12-13 XL1200V models.

Review these instructions carefully before beginning, as they contain important information. Please retain for future reference.

Particularly important information is distinguished in these instructions by the following notations:

**NOTE:** A NOTE provides key information to make procedures easier or clearer.

**CAUTION:** A CAUTION indicates special procedures that must be followed to avoid damage to the motorcycle and/or accessories.

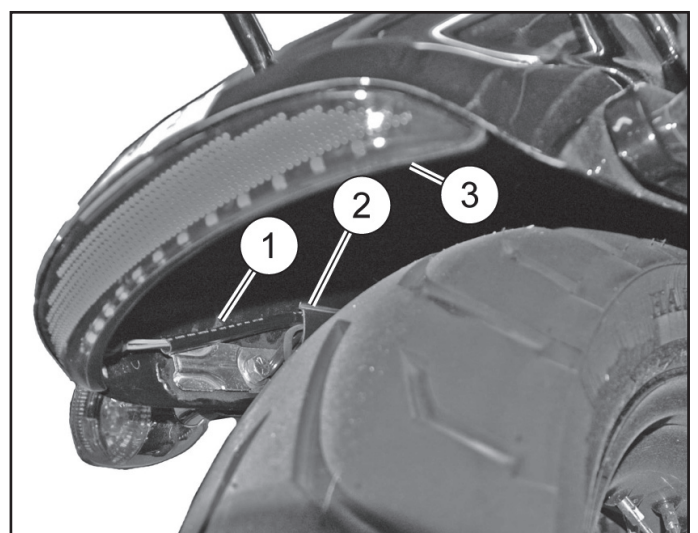
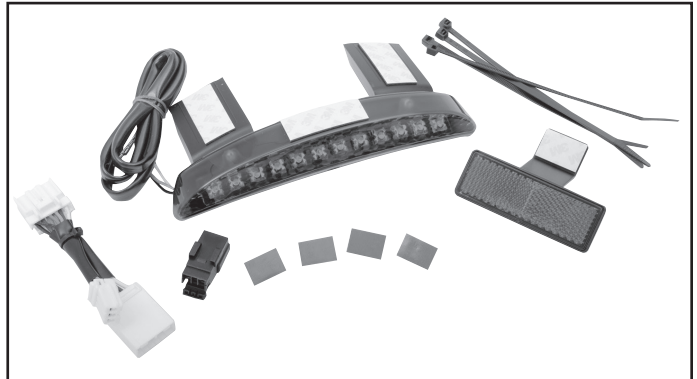
**WARNING!:** A WARNING indicates special procedures that must be followed to avoid injury to a motorcycle operator or person inspecting or repairing the motorcycle.

**WARNING!:** This taillight is designed to be used in conjunction with the original existing combination tail/turn/brake lights on the above bike models. Do not attempt to use this light without the existing lights. Do not mount to models using a center-mounted license plate, only a side-mounted license plate.

### INSTALLATION:

1. Remove the seat and main fuse.
  2. Remove the stock reflector from the rear of the fender, if installed.
- NOTE:** The surface of the rear fender where the fender-edge light will be mounted must be very clean for the adhesive pads of the light to properly adhere.
3. Thoroughly clean the area inside the rear fender where the fender-edge light will be mounted and along the inner left-side of the fender where the wire clips may be mounted:
    - a. Clean the mounting area of the fender thoroughly with soap and water.
    - b. Clean the mounting area of the fender with an equal mixture of isopropyl alcohol and water.
    - c. Allow the fender to dry completely.
  4. Test the fit of the fender-edge light into the open end of the rear fender to verify the fender-edge light will properly fit without obstruction, see **FIGURE 1**.
  5. Remove the protective tape from the three adhesive pads (A) on the fender-edge light (1).

**NOTE:** The adhesive pads of the fender-edge light are pressure sensitive. Press each adhesive pad firmly in place by hand for the best adhesion.



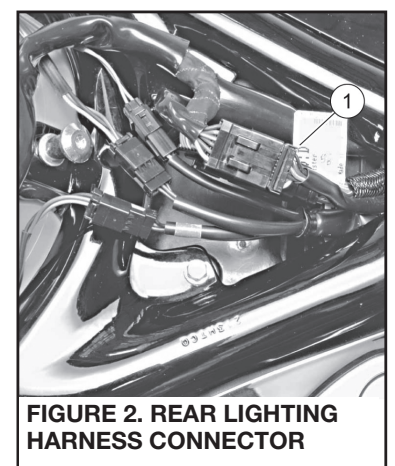
**FIGURE 1. FENDER-EDGE LIGHT**

1. Fender-edge light wiring harness
2. Wiring channel
3. Fender-edge light

6. Press the fender-edge light firmly in place in the open-end of the rear fender.
7. Remove the protective tape from the adhesive pad (B) of the reflector mount (6) and install the reflector to the center of the fender-edge light. Press firmly in place for best adhesion.

### WIRING

1. Locate and disconnect the rear lighting harness connector from the main wiring harness connector, see **FIGURE 2**.



**FIGURE 2. REAR LIGHTING HARNESS CONNECTOR**



# INSTALLATION INSTRUCTIONS

## DRAG SPECIALTIES LED TAIL/BRAKE LIGHT ASSEMBLY FOR 04-13 XL MODELS P/N 2010-0916/0917

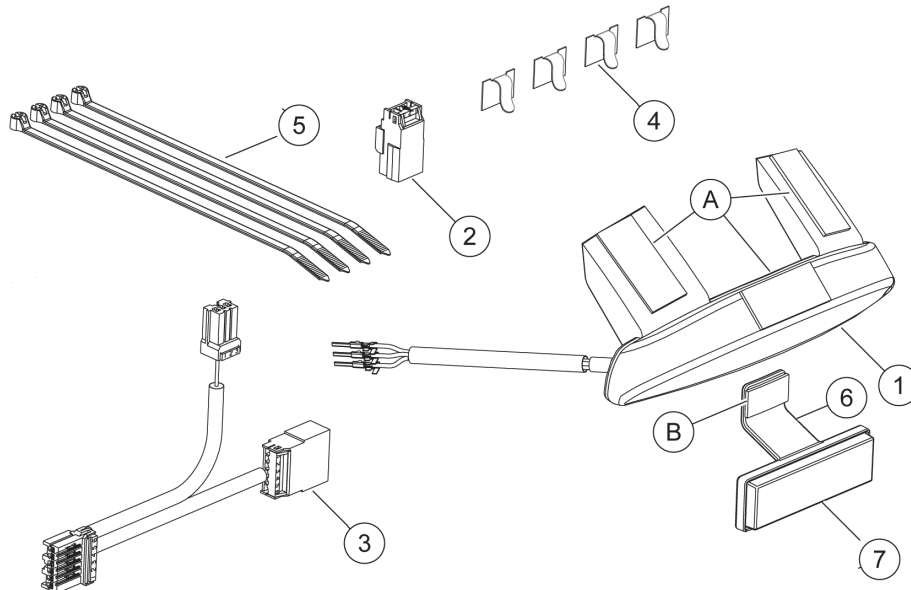


FIGURE 3. FENDER-EDGE LIGHT KIT

### WIRING (CONT)

**NOTE:** You will find the connector under the seat; it is a flat six-wire connector. Do not attempt to connect to the four-way connectors with three wires each that go into the existing taillights.

2. Connect the interconnect harness (3) between the rear lighting harness connector and the main wiring harness.

**NOTE:** The surface of the rear fender where the wire dips will be mounted must be very clean for the adhesive pads to properly adhere.

3. Route the light assembly wiring harness along the inner left-side of the fender to the fender pass-through hole. Secure the wire harness to the inner fender wall with wire clips (4) from the kit. Then route the harness to pass through the rear fender to the seat pan area and the interconnect harness.
4. **SEE FIGURE 3.** Insert the wires and terminals from the light assembly harness into the pin housing (2) from the kit:

**NOTE:** Make sure the wire color lines up with the same color in the matching connector.

- a. Insert the blue wire into cavity 1.
  - b. Insert the red/yellow wire into cavity 2.
  - c. Insert the black wire into cavity 3.
5. Connect the light assembly harness to the interconnect harness three-place connector.
  6. Secure the interconnect harness in the seat pan area as necessary with cable straps (5).

### OPERATIONAL CHECK

1. Install the main fuse.
2. Turn the ignition switch on, to IGNITION, but do not start the motorcycle. Test the fender-edge light and motorcycle lamps for proper operation:
  - a. With the ignition switch on, the LEDs in the fender-edge light should be illuminated, along with the vehicle taillamps.
  - b. When either the brake hand lever or foot pedal is activated, the LEDs in the fender-edge light should noticeably brighten, along with the vehicle stop lamps.
  - c. When either turn signal switch is activated, the LEDs in the fender-edge light should remain lit steadily and not flash.
  - d. Turn the ignition key switch to OFF. The fender-edge light should turn off immediately, along with the vehicle taillamps.

**WARNING!:** Before operating the motorcycle, be sure all of the hardware is tight.

Item	Description (Quantity)
1	Fender-edge light assembly
2	Pin housing, three-way
3	Harness, interconnect
4	Clip, adhesive-backed (4)
5	Cable strap (4)
6	Mount, reflector
7	Reflector

