



INSTALLATION INSTRUCTIONS

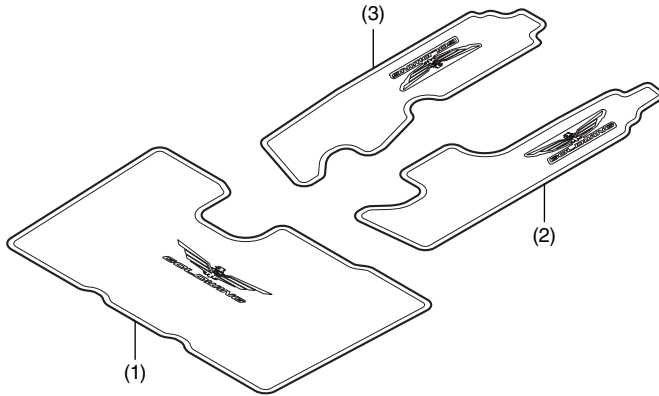
Accessory
**DELUXE SADDLEBAG /
 TRUNK MAT SET**
 P/N 08P11-MCA-100D

Application
After '10 GL1800

Publication No.
MII 13574
 Issue Date
February 2011

Honda Dealer: Please give a copy of these instructions to your customer.

PARTS LIST



No.	Description	Qty
(1)	Rear trunk mat	1
(2)	Right saddlebag mat	1
(3)	Left saddlebag mat	1

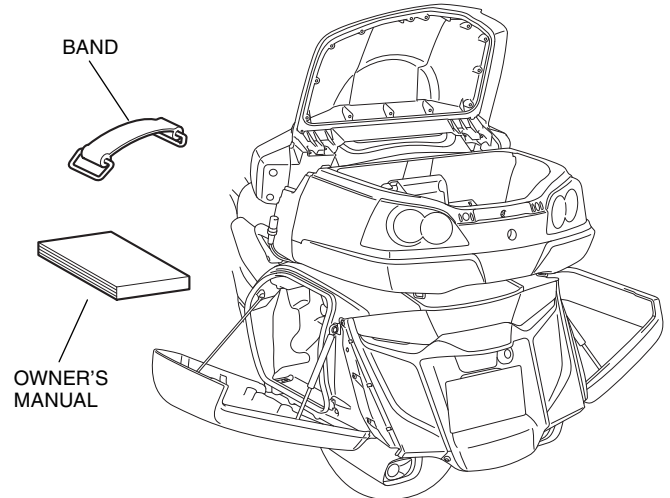
USE AND CARE INFORMATION

- The combined weight of the cargo and accessories must not exceed the maximum weight capacity of the trunk or saddlebag. Consider the weight of the accessory when loading cargo. Do not overload the trunk or saddlebag.

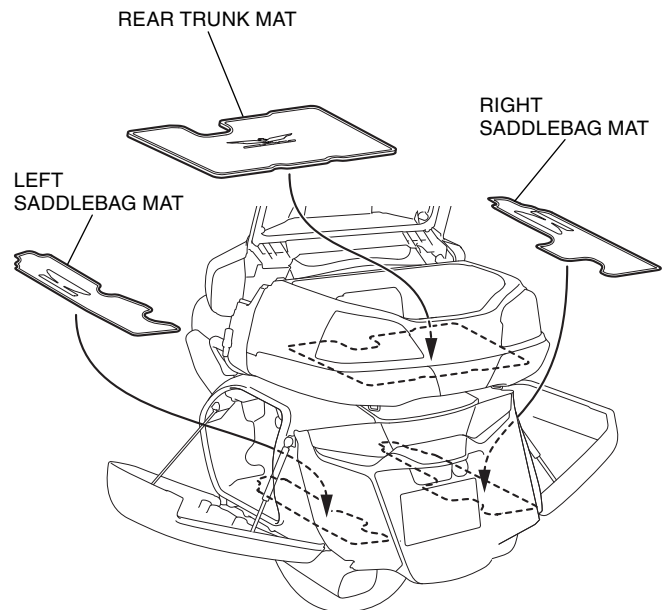
Rear Trunk Mat	0.7 lbs (0.3 kg)
Saddlebag Mats	0.9 lbs (0.4 kg) each

INSTALLATION

- Open the rear trunk and saddlebag.
- Remove the parts shown from the left saddlebag.



- Install the rear trunk mat and saddlebag mats as shown.



- Install the removed parts in the reverse order of removal.