



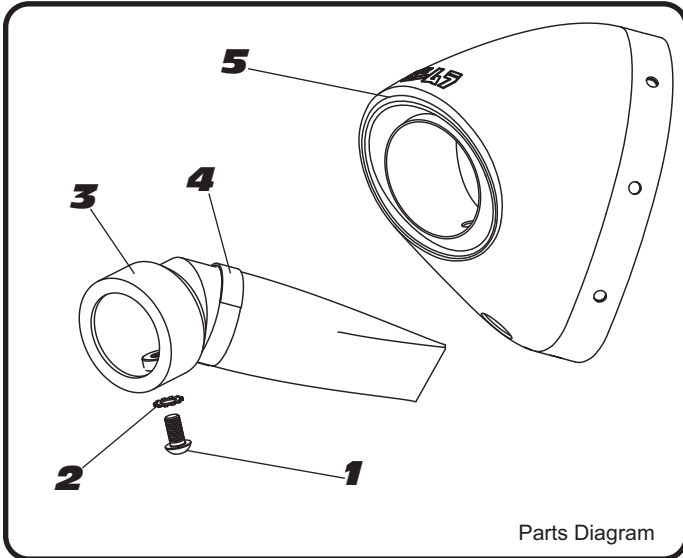
YOSHIMURA

RESEARCH&DEVELOPMENT OF AMERICA, INC.

5420 DANIELS STREET SUITE A, CHINO, CA 91710 · (800) 634-9166 · (909) 628-4722 · FAX (909) 591-2198

www.yoshimura-rd.com

SA-13-K-1 YOSHIMURA TEC-SD18 SPARK ARRESTOR KIT



NO.	DESCRIPTION	QTY	PART #
1	6mm X 12mm Button Head Cap Screw	1	M6X12BHS
2	6mm Lock Washer	1	6MMLCKWSHR-TH
3	RS4S Aluminum Insert Ring	1	RS4S-RING-1500
4	TEC-SD18 Spark Arrestor	1	TEC-SD18-1
5	Yoshimura Exhaust	**	**

- Using a 4mm allen key, remove the bolt that secures the aluminum ring and spark arrestor to the muffler (see Parts Diagram for location).
- Remove the spark arrestor from the muffler.
- Using a wire brush, remove carbon deposits from spark arrestor screen. Inspect the screen for excessive wear or damage. If spark arrestor is excessively worn or damaged, the spark arrestor must be replaced. Cleaning and inspection should be performed after every 60 hours of use.

CAUTION: Gloves and safety glasses should be worn while cleaning spark arrestor.

- Re-install spark arrestor and aluminum ring. Torque the spark arrestor securing bolt to 1.0kg-m (7.3lb-ft).

NOTE: It is recommended that a low strength "Loc-tite" is used on the spark arrestor securing bolt.



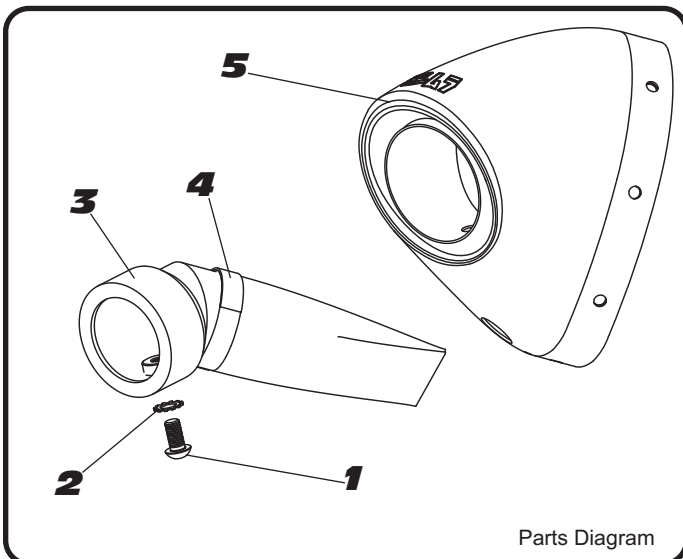
YOSHIMURA

RESEARCH&DEVELOPMENT OF AMERICA, INC.

5420 DANIELS STREET SUITE A, CHINO, CA 91710 · (800) 634-9166 · (909) 628-4722 · FAX (909) 591-2198

www.yoshimura-rd.com

SA-13-K-1 YOSHIMURA TEC-SD18 SPARK ARRESTOR KIT



NO.	DESCRIPTION	QTY	PART #
1	6mm X 12mm Button Head Cap Screw	1	M6X12BHS
2	6mm Lock Washer	1	6MMLCKWSHR-TH
3	RS4S Aluminum Insert Ring	1	RS4S-RING-1500
4	TEC-SD18 Spark Arrestor	1	TEC-SD18-1
5	Yoshimura Exhaust	**	**

- Using a 4mm allen key, remove the bolt that secures the aluminum ring and spark arrestor to the muffler (see Parts Diagram for location).
- Remove the spark arrestor from the muffler.
- Using a wire brush, remove carbon deposits from spark arrestor screen. Inspect the screen for excessive wear or damage. If spark arrestor is excessively worn or damaged, the spark arrestor must be replaced. Cleaning and inspection should be performed after every 60 hours of use.

CAUTION: Gloves and safety glasses should be worn while cleaning spark arrestor.

- Re-install spark arrestor and aluminum ring. Torque the spark arrestor securing bolt to 1.0kg-m (7.3lb-ft).

NOTE: It is recommended that a low strength "Loc-tite" is used on the spark arrestor securing bolt.