

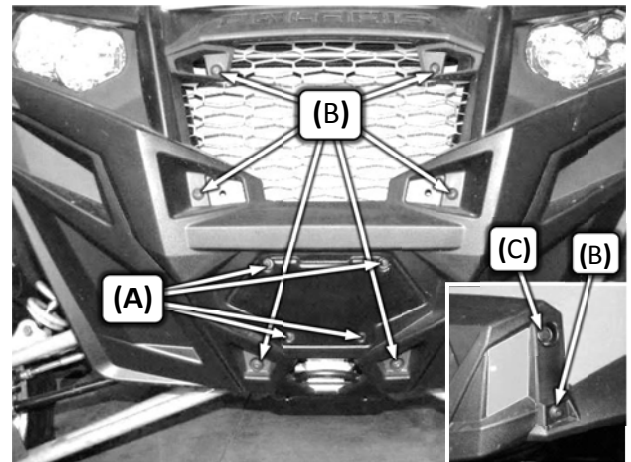
Polaris RANGER RZR XP 900

Winch Mount

Winch Mount **PART # 100765**
 Hardware Kit: HK-068, HK-031

Kit Components:

<u>Qty</u>	<u>Part Description</u>
1.....	Mount Plate
1.....	Fairlead Bracket
1.....	Roller
2.....	Flanged Nylon Bushing
2.....	3/8" x 7/8" Hex Flanged Bolt
2.....	3/8" Nylock Flange Nut
2.....	5/16" x 1" Hex Bolt
4.....	5/16" Lock Washer
4.....	5/16" Flat Washer
2.....	5/16" x 7/8" Hex Bolt
1.....	3/8" x 5" Hex Bolt
1.....	3/8" Nylock Hex Nut
2.....	Piggyback Quick-Connect
1.....	Hardware kit (Mini-Rocker Switch)

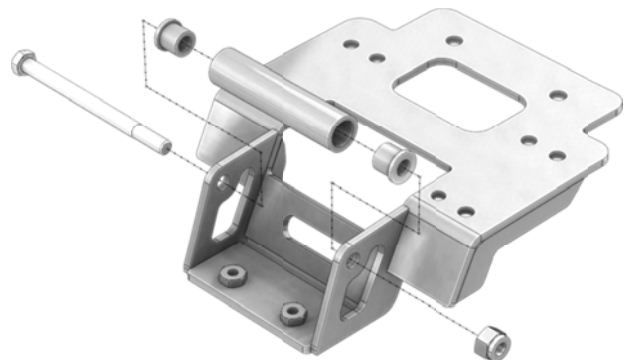


"Figure 1" Front of Machine

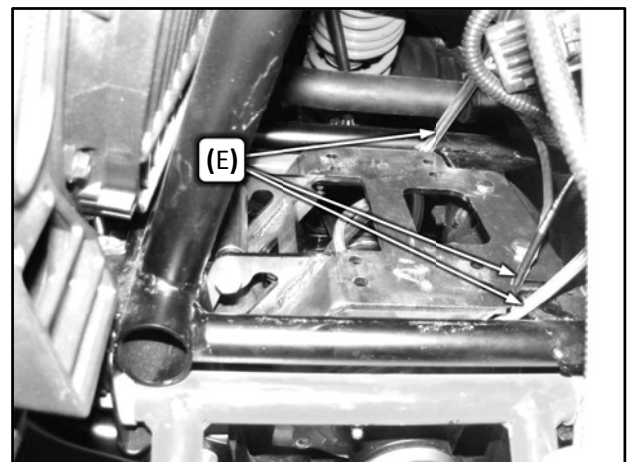
INSTALLATION INSTRUCTIONS:

1. Begin by removing the plastic fairlead cover, to do so remove screws (A) as shown in Figure 1.
2. Remove front plastic fender by removing 8 bolts (B) and 2 clips (C) as shown in Figure 1.
3. Install roller to mount plate using 5" bolt, included nylon bushings and Nylock hex nut, as shown in Figure 2.
4. Place mount plate into position as shown in Figure 3. Loosely install rear hardware using the 3/8" flanged bolt and flanged lock nut as shown in the above exploded view.

(Note: Make sure you route the cables and hoses as shown in Figure 3-E)



"Figure 2" Roller Install



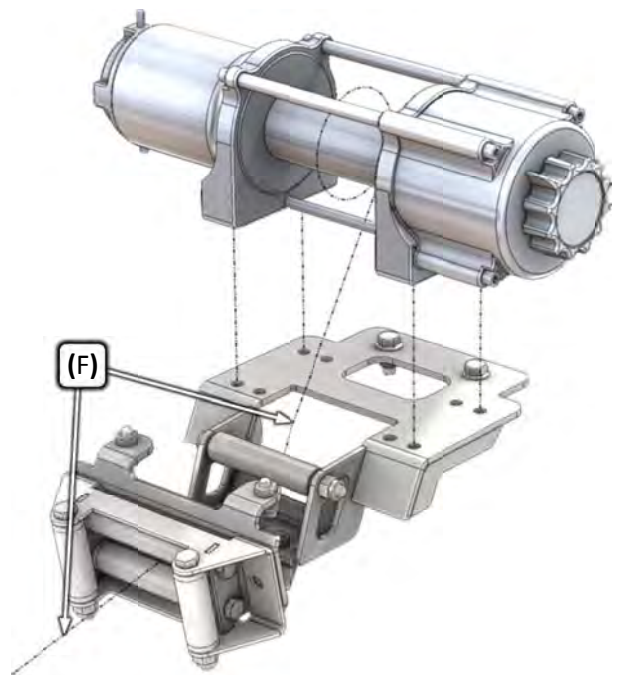
"Figure 3" Mount Plate Installation

5. Connect the shorter wires (Black and Red) to your winch before installing to mount plate.

(Note: Your winch manual may state the opposite, but you will need to connect the shorter wires to your winch. The shorter wires will be used to connect the winch to the contactor. The longer wires (Yellow and Blue) will be used to connect the contactor to the battery.)

6. Place your Winch into position as shown in Figures 4, 5 & 7 and assemble using the hardware that was supplied with your winch.

(Note: When installing the winch the hoses will have to be positioned as shown in Figure 5. If wire leads interfere with hoses, on some winches, i.e. KFI Winches, you can rotate the leads 90 degrees. If you prefer not to have your winch interfere with the hoses you can rotate the whole winch 180 degrees. If you do this you must un-spool the cable and re-spool the opposite direction, you must also switch the positive and negative wires on the motor leads. If you are installing a 2-hole mounted winch you will need to first install the optional not included Converter Mount #100480 as shown in Figure 6.)

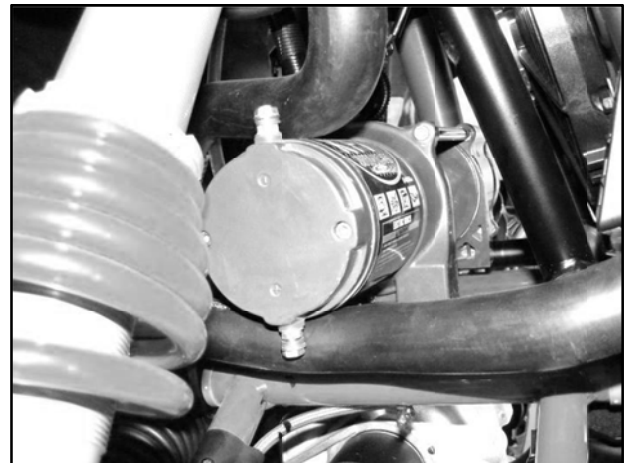


“Figure 4” Winch Installation

6. Assemble the fairlead to the fairlead bracket. Route the cable under the mount roller and out through both the fairlead bracket and the fairlead as shown in Figure 4-F. Attach the hook to the end of the cable.
7. Assemble the Fairlead Bracket to the RZR Frame as shown in Figure 7 and the exploded view above using the 5/16” hardware supplied.

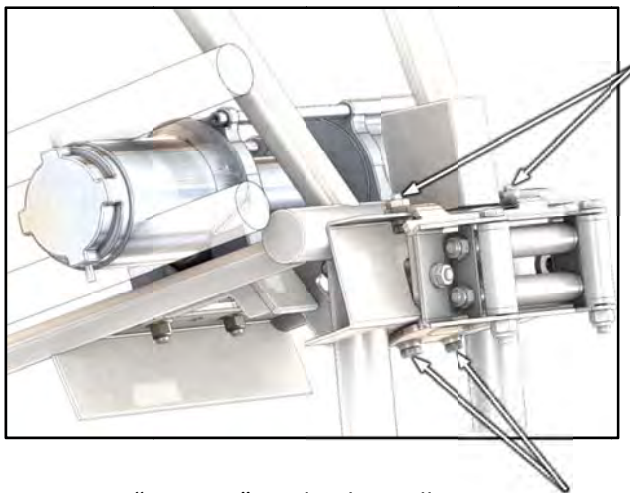
(Note: The bottom bolts will go through the fairlead bracket, frame and into the weld nut on the mount.)

8. Replace front bumper and hardware removed from Step 2.



“Figure 5” View of Hose Positioning

Using the instructions provided with your winch, wire accordingly.



“Figure 7” Fairlead Installation

Mount #100480 (not included)

Note: The cable must come off of the bottom of the spool. Some 2-Hole mounted winches may have the motor on the opposite side as shown.



“Figure 6”
Exploded View of a 2-Hole Mounted Winch

CONTACTOR LOCATION

Contactors location is just above the passenger's feet as shown in Figure 8. (Note: You may need to re-drill the contactor mounting holes as there are a few contactors that will not have the same mounting bolt pattern that is on your RZR)

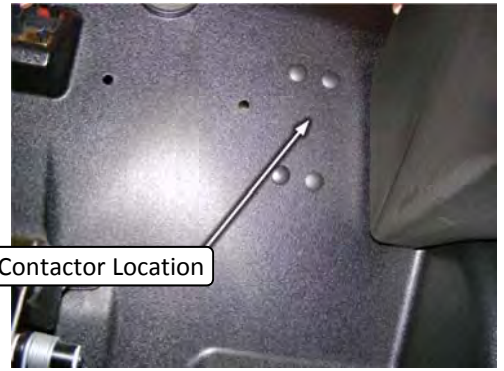
SWITCH IGNITION WIRE

1. Crimp the red wire from the remote or switch to the included Piggyback Quick Connect.
2. Remove the ORANGE electrical wire from the accessory outlet and connect it to the piggyback electrical connector. Figure 7
3. Connect the Piggyback connector to the accessory outlet.

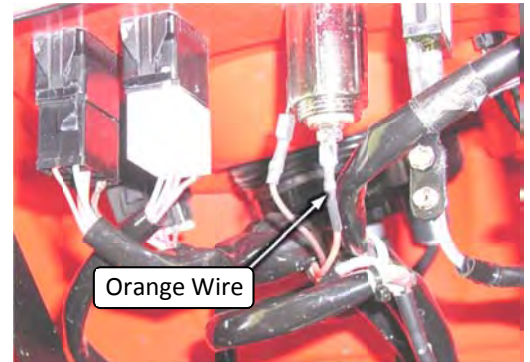
Mini-Rocker Switch Hardware Kit

This allows you to mount your usual handle bar mounted switch to almost any desired location.

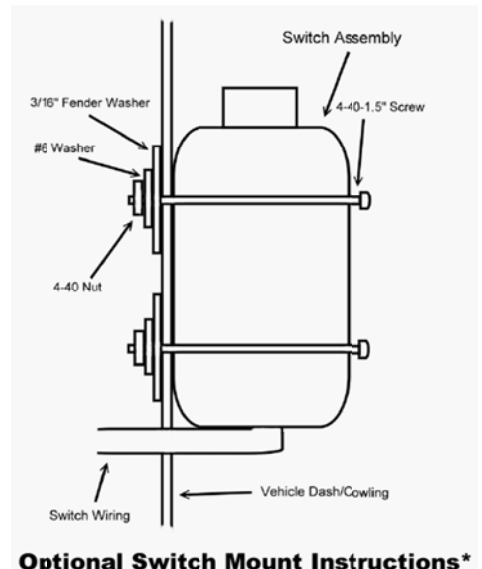
- a. Remove handlebar mount hardware from the switch.
- b. Locate desired mounting location
- c. Mark and drill two switch holes through dash using switch housing as a template
- d. Drill a 3rd hole for the switch wiring.
- e. Assemble per Figure 10.



"Figure 8" Contactor Location



"Figure 9" Switch Ignition Wire



Optional Switch Mount Instructions*

"Figure 10" Mini-Rocker Mounting