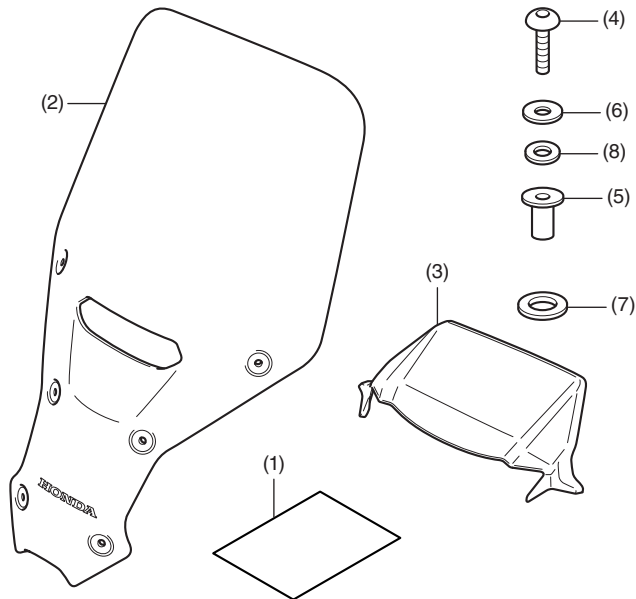


**Honda Dealer: Please give a copy of these instructions to your customer.**

## PARTS LIST



No.	Description	Qty
(1)	Installation Instructions URL	1
(2)	Tall windscreen	1
(3)	Front visor	1
(4)	5 mm screw	2
(5)	Well nut	6
(6)	Washer (small)	2
(7)	Washer (large)	6
(8)	Rubber washer	2

## TOOLS AND SUPPLIES REQUIRED

Hex wrench (5 mm)

Isopropyl alcohol

Primer

Shop towel

Torque wrench

## TORQUE CHART

Tighten all screws, bolts, and nuts to their specified torque values. Refer to the Service Manual for the torque values of the removed parts.

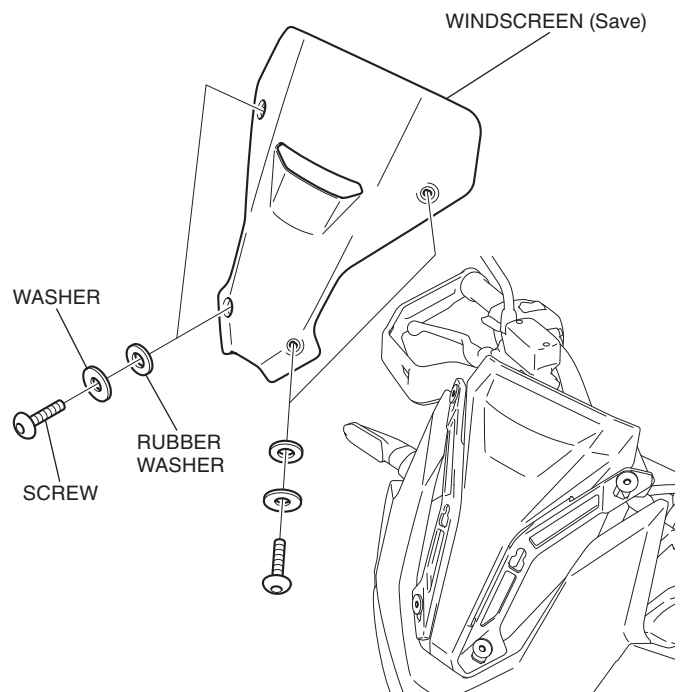
Item	N·m	kgf·m	lbf·ft
5 mm screw	0.4	0.04	0.3

## INSTALLATION

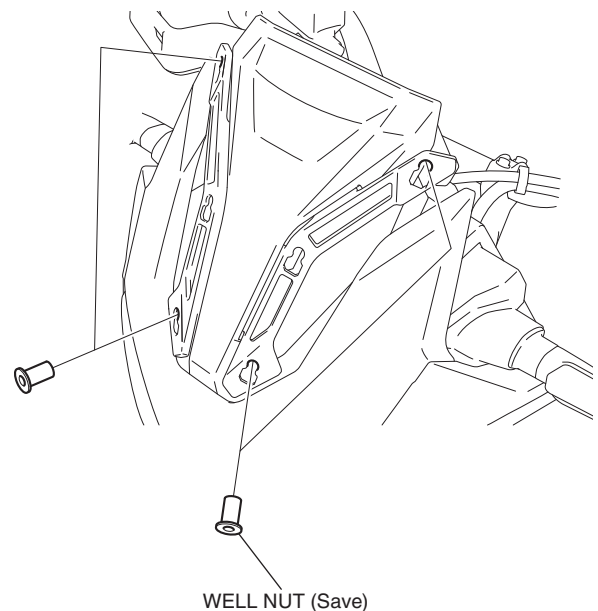
### NOTE:

- Heat the bonding surfaces with a hair dryer if the ambient air temperature is below 70°F (21°C).
- The adhesive reaches full strength in 72 hours. Wait at least 24 hours before riding your motorcycle.

1. Remove the windscreen as shown.



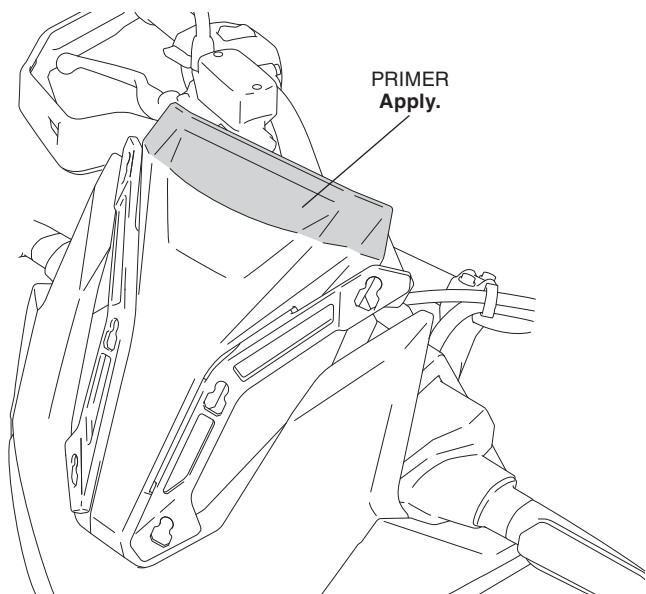
2. Remove the well nuts as shown.



3. Clean the surface of the area shown using an isopropyl alcohol.

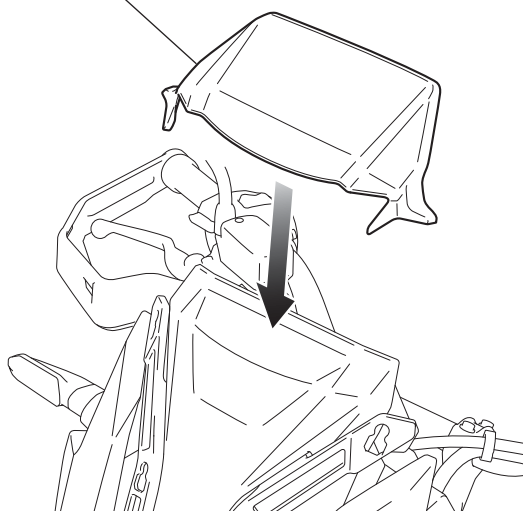


4. Apply primer to the position shown.
- After applying, allow the primer to dry for at least 10 minutes.



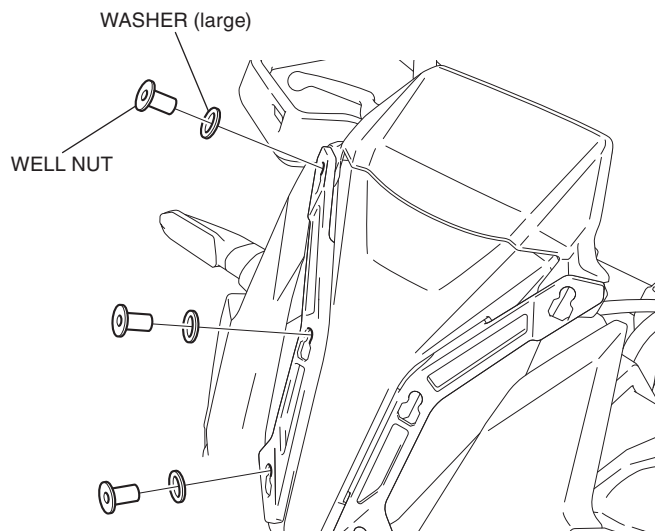
5. Attach the front visor as shown.

FRONT VISOR  
Remove the adhesive backing before attaching.

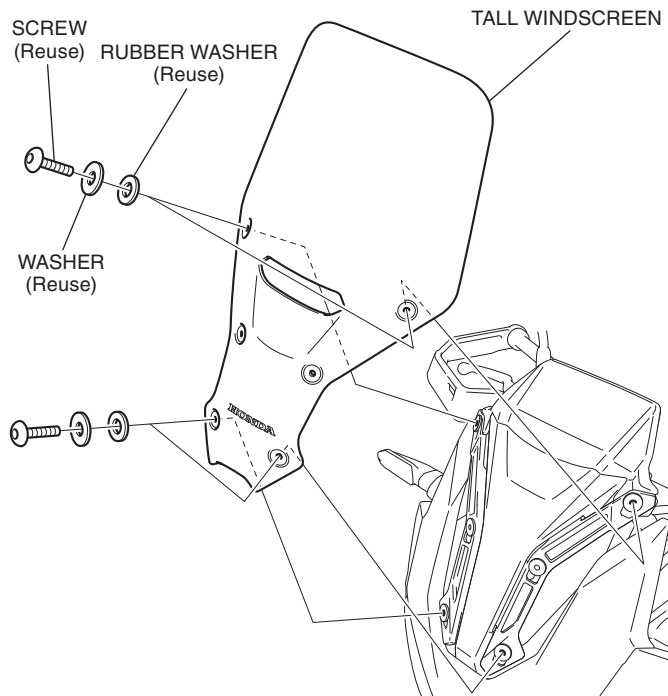


6. Install the well nuts as shown.

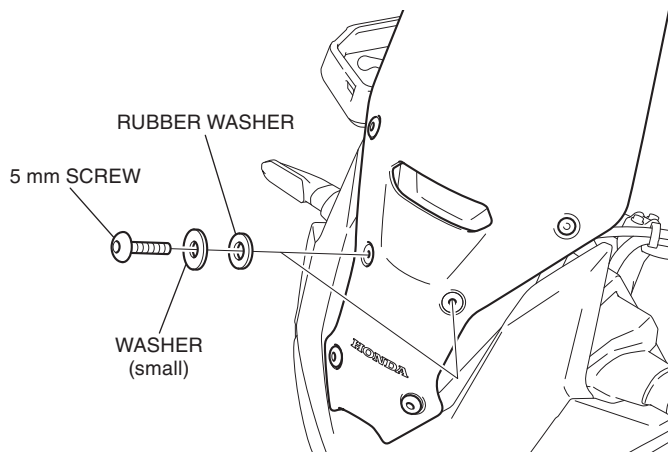
- Repeat on the left side.



7. Loosely install the tall windscreen as shown.



8. Loosely install the 5 mm screws as shown.



9. Tighten the loosely installed parts securely.