

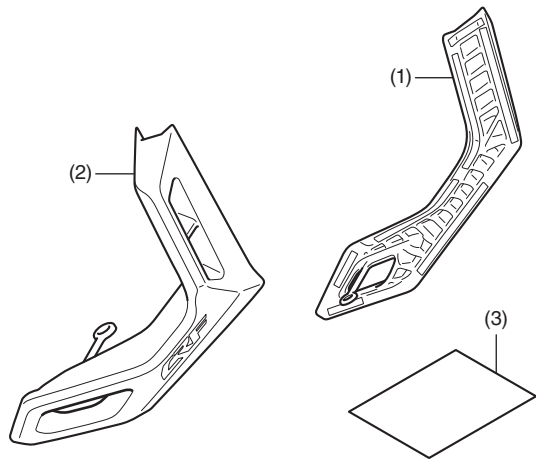
HONDA

INSTALLATION INSTRUCTIONS

Accessory	Application	Publication No.
LOW WIND DEFLECTOR P/N 08R71-MKS-E20	CRF1100A4/D4	MII 17351
		Issue Date
		February 2020

Honda Dealer: Please give a copy of these instructions to your customer.

PARTS LIST



No.	Description	Qty
(1)	Right wind deflector	1
(2)	Left wind deflector	1
(3)	Installation Instruction URL	1

SUPPLIES REQUIRED

Isopropyl alcohol
Shop towel

INSTALLATION

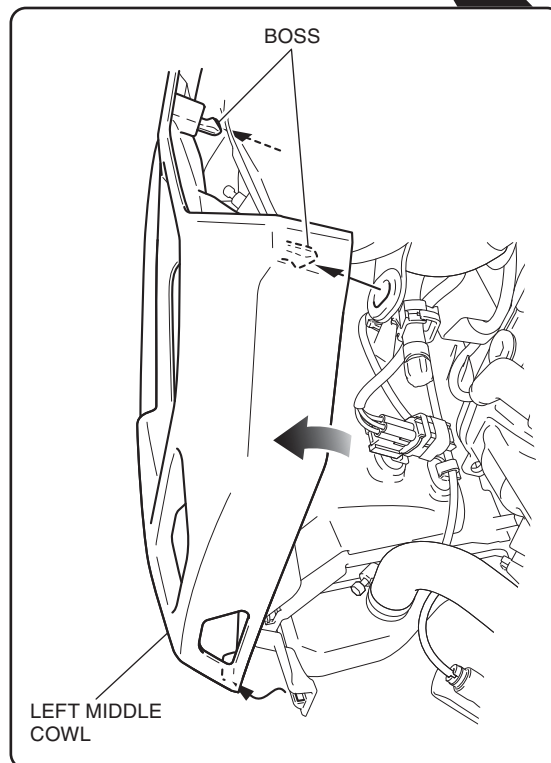
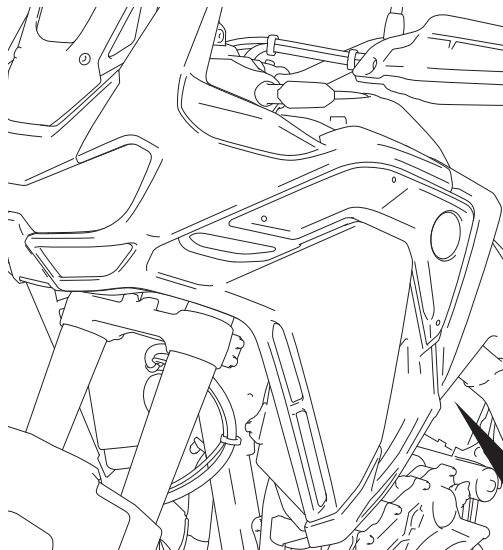
⚠ CAUTION

- To prevent burns, allow the engine, exhaust system, radiator, etc., to cool before installing the accessory.

NOTE:

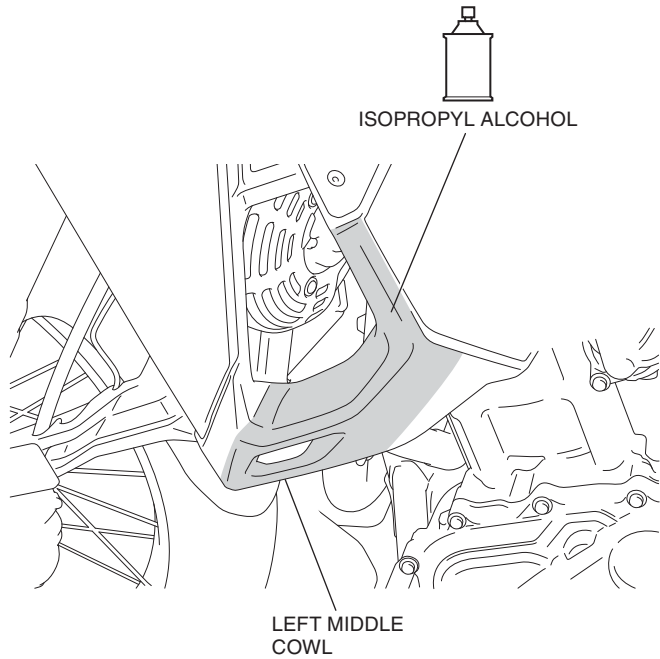
- Heat the bonding surfaces with a hair dryer if the ambient air temperature is below 70°F (21°C).
- The adhesive reaches full strength in 72 hours. Wait at least 24 hours before riding your motorcycle.

- Remove the bosses of the left middle cowl as shown.
<Left side>

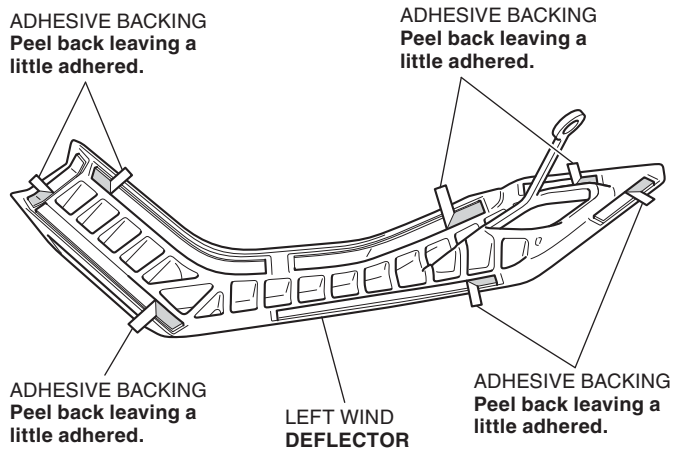


2. Clean the surface of the area shown using isopropyl alcohol.

<Left side>

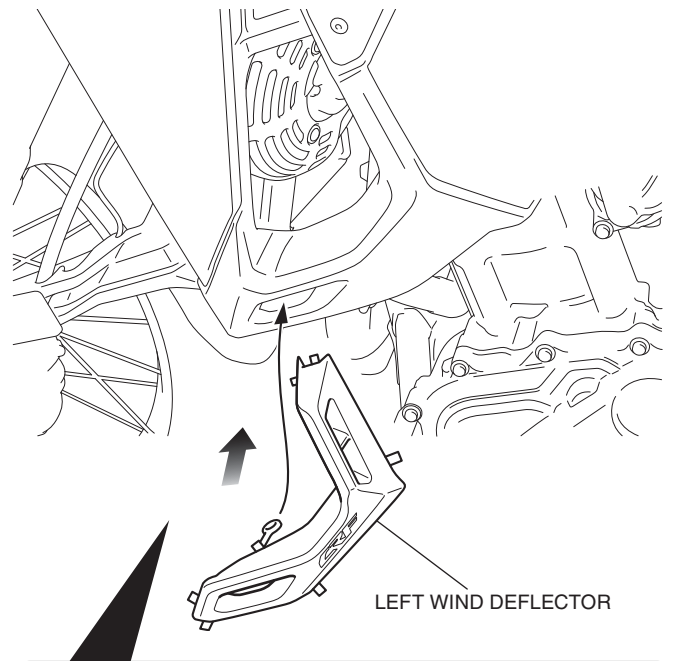


3. Peel off the adhesive backing on the left wind deflector as shown.

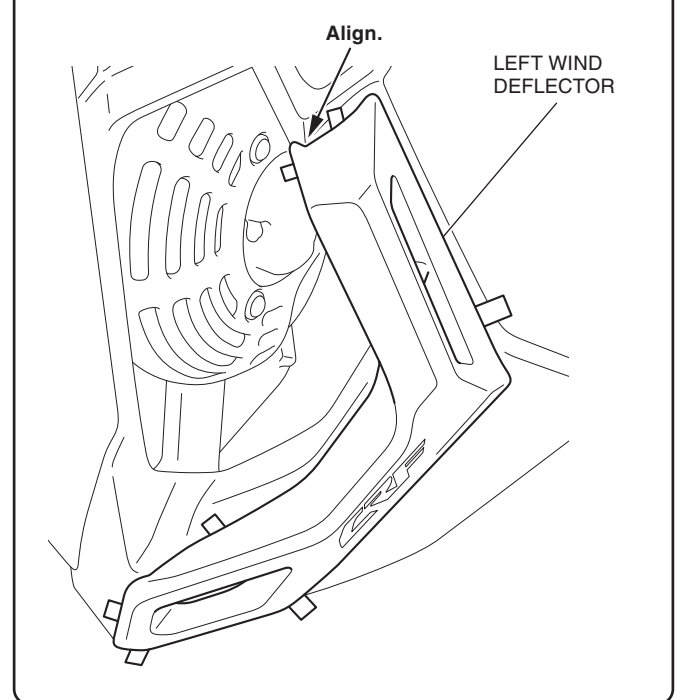


4. Attach the left wind deflector as shown.

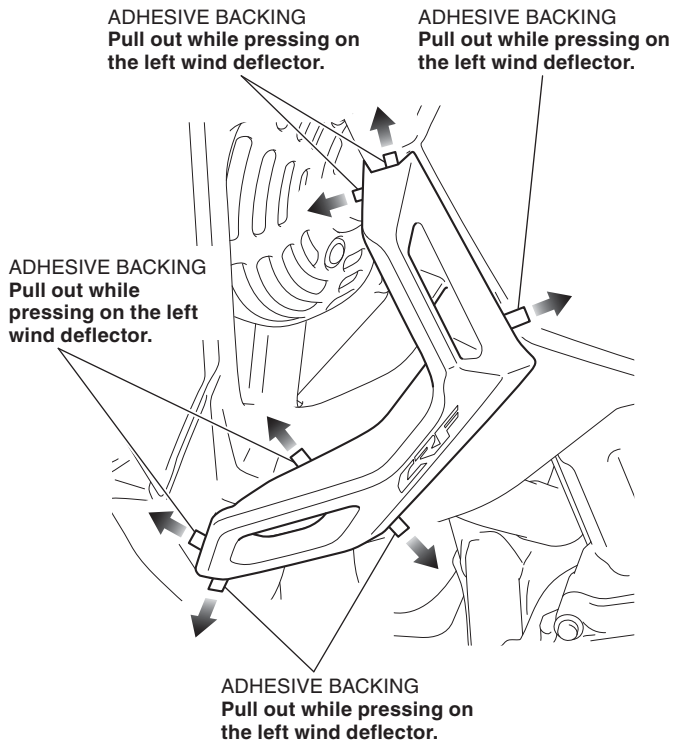
- Align the left wind deflector with the outline of the left middle cowl.



Align the left wind deflector as position shown.

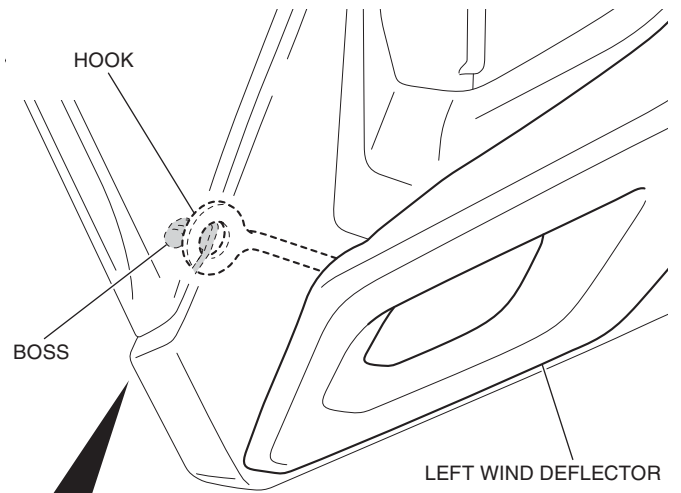


5. Remove the adhesive backing as shown.

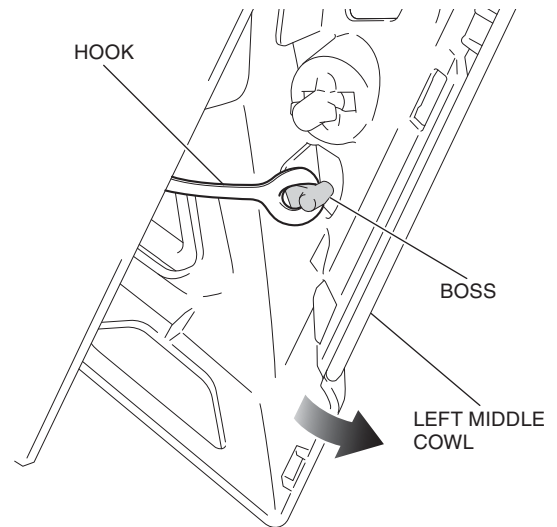


6. Apply adequate pressure to the attached left wind deflector.

7. Hook the hook of the left wind deflector on the boss as shown.



Install the hook of the left wind deflector to the boss while expanding the left middle cowl to the outside.



8. Install the left middle cowl in the reverse order of removal.

9. Install the right wind deflector in the same manner as the left side.