



# YOSHIMURA

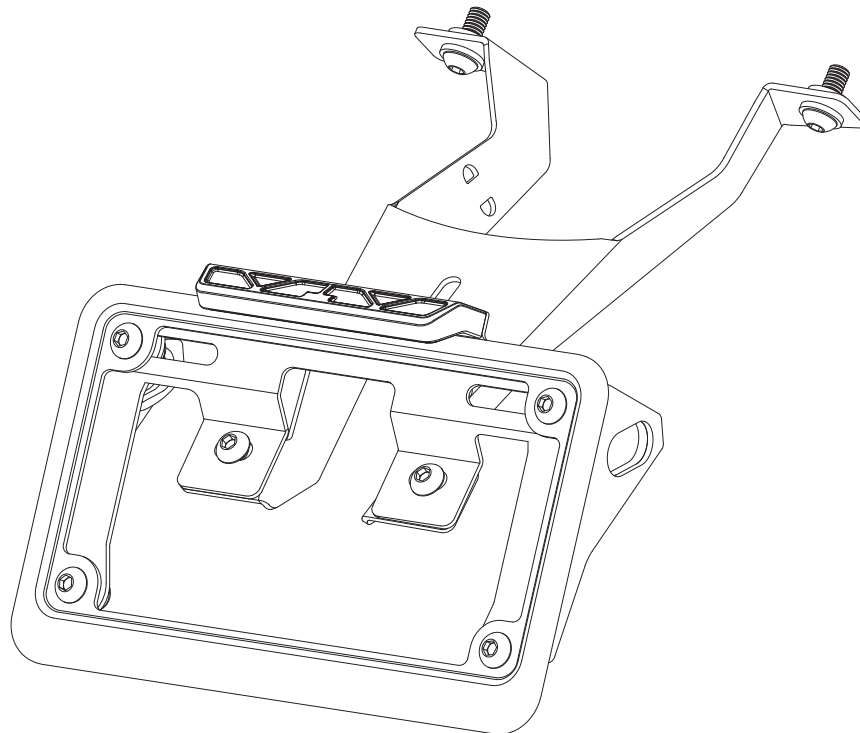
RESEARCH&DEVELOPMENT OF AMERICA, INC.

5420 DANIELS STREET STE A, CHINO CA., 91710 · (800) 634-9166 · (909) 628-4722 · FAX (909) 591-2198

[www.yoshimura-rd.com](http://www.yoshimura-rd.com)

## **FENDER ELIMINATOR KIT**

**070BG123100**  
**Honda CB300R**

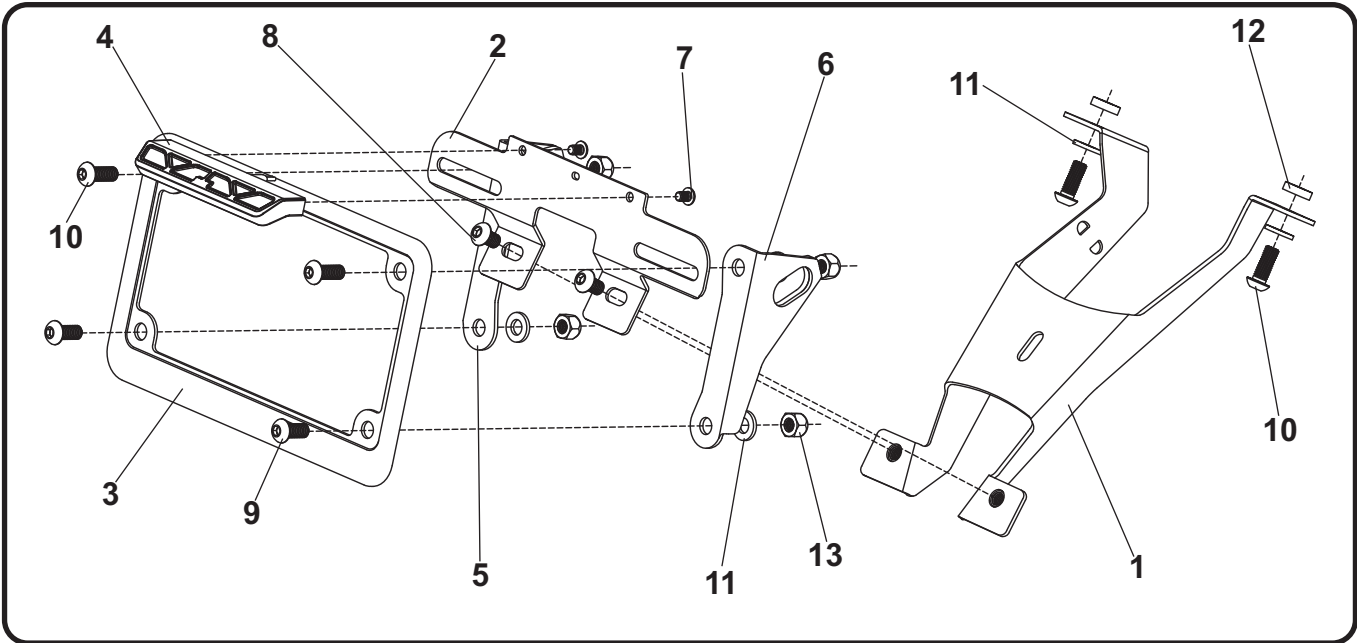


**THIS PRODUCT IS NOT DOT APPROVED.**

Yoshimura R&D of America, Inc. is not liable or responsible for any resulting event caused by the installation of this product. Check with local laws and regulations for compliance prior to installation and use. This product is not intended for use on public highways.



## Assembly Diagram



No.	Item	Description	Qty.
1	12310-FEBKT	Fender Eliminator Bracket	1
2	12200-FEBKT	License Plate Bracket	1
3	070BG-LPF	License Plate Frame	1
4	070BG-LH-K1	Fender Eliminator LED Light	1
5	12310-TSBKT-L	Left Turn Signal Bracket	1
6	12310-TSBKT-R	Right Turn Signal Bracket	1
7	M4X6BHS	4mm x 6mm Button Head Screw	2
8	M6X10BHS	6mm x 10mm Button Head Screw	2
9	M6X14BHS	6mm x 14mm Button Head Screw	2
10	M6X16BHS	6mm x 16mm Button Head Screw	4
11	6MMWASHER	6mm Washer	6
12	12310-FEBKT-SPR	Fender Eliminator Bracket Spacer	2
13	6MMLN	6mm Nylon Lock Nut	4
**	BN-SSS-22-18	Solder Shrink Connectors	2
**	ZT-200	Cable Tie	1
**	17100	Yoshimura Sticker Sheet	1
<b>Optional Accessories</b>			
	073BG-HON-1	Turn Signal Wire Adapters	
	072BGLTSR	Yoshimura LED Turn Signal Kit w/ Relay	
	072BGLTSR-S	Yoshimura Sequential LED Turn Signal Kit w/ Relay	
	070BGUNVTBKT	Yoshimura Turn Signal Bracket Kit, Standard	
	070BG12121TSBKT	Yoshimura Turn Signal Bracket Kit, Corner	

\*\* Not shown on diagram.

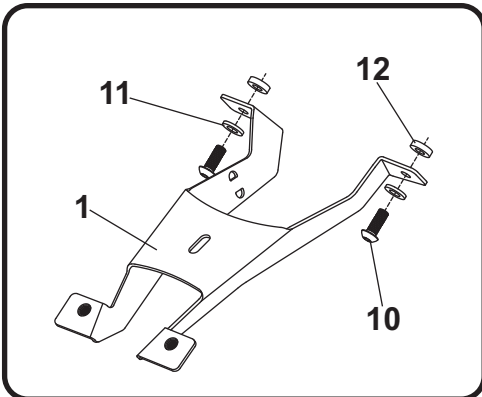
## Removal

1. Remove passenger seat.
2. Locate and disconnect license plate light and turn signal connectors.
3. While securely supporting the stock fender assembly, remove the four bolts securing the fender assembly to subframe and carefully remove fender assembly making sure not to damage connectors in the process.
4. Disassemble the stock fender assembly and remove the stock turn signals.
5. Cut the stock license plate light wires from the stock fender assembly. Be sure to cut at least a 6" section of wire from the connector.

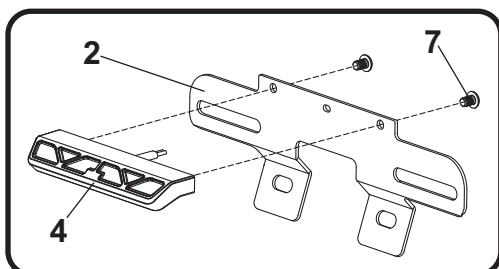
## Installation

1. Install (No. 1) *12310-FEBKT*, fender eliminator bracket to subframe using (No. 10,11,12) *M6X16BHS*, 6mm button head screw, *6MWASHER*, 6mm washer, and *12310-FEBKT-SPR*, fender eliminator bracket spacer as shown.

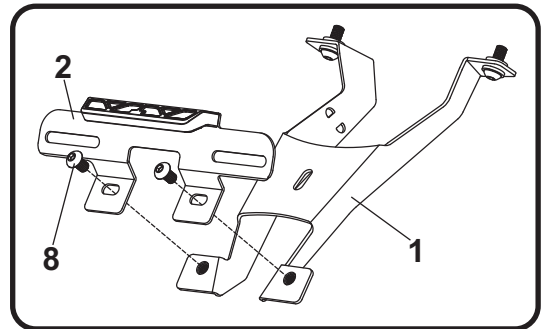
Note: *12310-FEBKT-SPR* mounts between fender eliminator bracket and the plastic undertail.



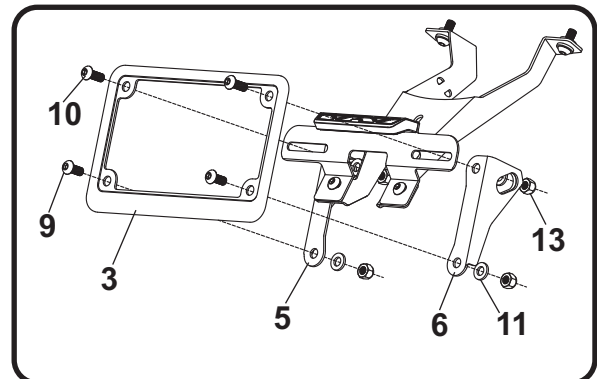
2. Install (No. 4) *070BG-LH-K1*, fender eliminator light onto (No. 2) *12200-FEBKT*, license plate bracket using (No. 7) *M4X6BHS*, 4mm screws.



3. Install (No. 2) *12200-FEBKT*, license plate bracket to (No. 1) *12310-FEBKT*, fender eliminator bracket using (No. 8) *M6X10BHS*, 6mm button head screws.



4. Install stock left and right turn signals onto (No. 5,6) *12310-TSBKT-L/R*, left and right turn signal brackets.
5. Assemble and install (No. 3) *070BG-LPF*, license plate frame and (No. 6) *12310-TSBKT-L/R*, left and right turn signal bracket to (No. 2) *12200-FEBKT*, license plate bracket using (No. 9,10) *M6X14BHS* and *M6X16BHS*, 6mm button head screws and (No. 11,13) *6MMWASHER*, 6mm washer and *6MMLN*, 6mm lock nut.



6. Using the *BN-SSS-22-18*, solder shrink connectors provided in the kit, connect the Yoshimura license plate light wires to the stock license plate light wires as follows:

Black Wire -to- Green (-)  
Red Wire -to- Brown (+)

- a) Strip the stock fender light wire ends 1/4" - 1/2" and insert into *BN-SSS-22-18*, solder connectors provided in the kit.
- b) Center the spliced wire ends in the middle and using a heatgun or lighter, apply heat evenly on the outer edges of the connector to shrink and hold wires in place.

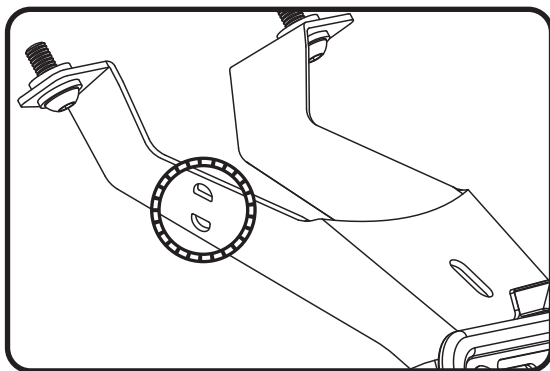
- c) Making sure that the stripped ends are centered, heat the center of the connector evenly until the solder begins to liquify.
- d) Allow to cool completely and tug both ends of the wires to verify that connection is secured.

Scan for link to solder shrink connector instruction video.



7. Route license plate light wire and turn signal wires along the left side of (No. 1) 12310-*FEBKT*, fender eliminator bracket and through undertail. Re-connect license plate light and turn signal connectors.

Note: Using the cable tie supplied in the kit, secure wires along left side of fender eliminator bracket.



8. Re-install passenger seat.
9. Check for proper function of license plate light and that all brackets and components are secure prior to riding.