

Kawasaki

Assembly Instructions

Model:	ZR900A/B
Description:	Front Axle Slider
Part Number:	99994-0837
Flat Rate Time(Hr):	0.1

Before you begin, read through these instructions and check that all parts are present. Please note that Kawasaki cannot assume any responsibility for damage resulting from incorrect installation.

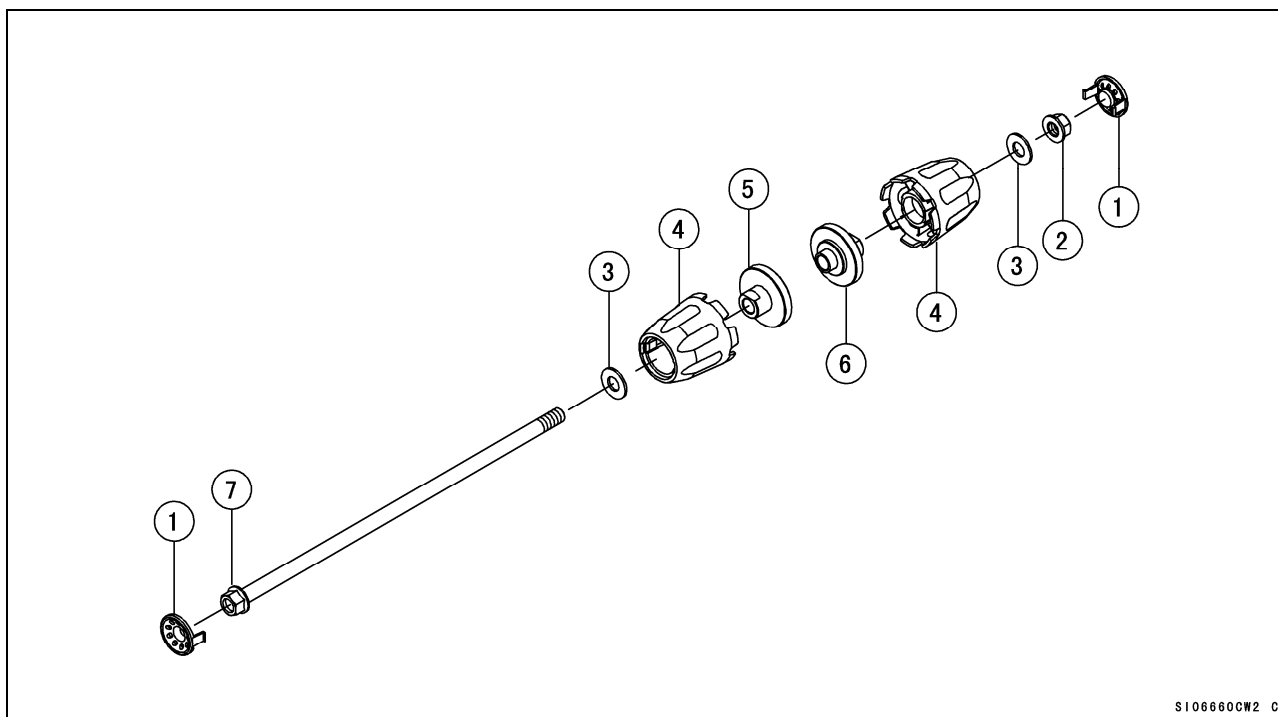
Kawasaki recommends that all genuine accessories should be fitted by an authorized Kawasaki dealer.

The following symbols indicate the information for proper installation and operation in this instruction.

- Indicates a procedural step or work to be done.

Refer to the Service Manual (P/No.: 99924-1525-01) for detailed procedures.

Parts List				
No.	Component Name	Part No.	Qty	Remark
1	Cap	11065-0960	2	
2	Nut	92210-1139	1	
3	Washer	411AA1000	2	
4	Pad	39156-2212	2	
5	Collar	92152-2272	1	Left, L = 22.5
6	Collar	92152-2273	1	Right, L = 29.5
7	Bolt	92154-2250	1	

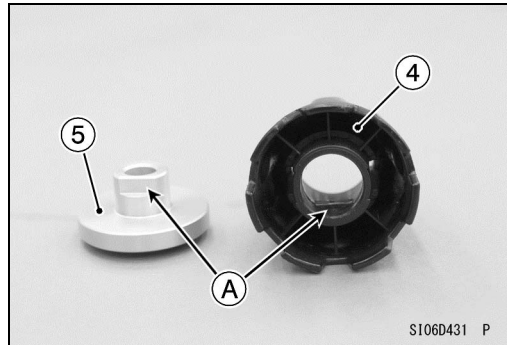


S106660CW2 C

Installation Instructions

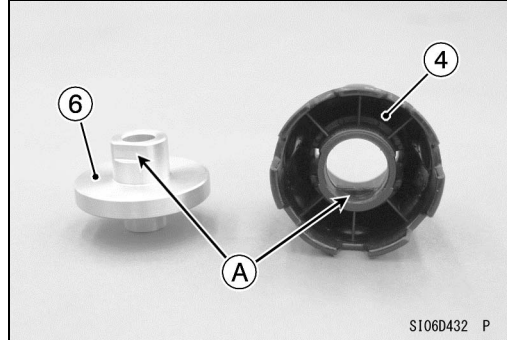
Left pad

- Assemble the left collar [5] and pad [4] so that the each flat surfaces [A] are aligned.

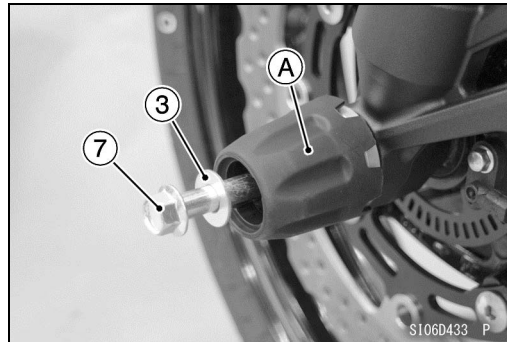


Right pad

- Assemble the right collar [6] and pad [4] so that the each flat surfaces [A] are aligned.

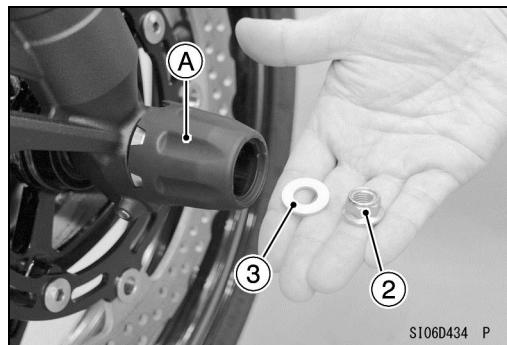


- Install the left pad assembly [A] to the left fork leg.
- Install the washer [3] to the bolt [7].
- Install the bolt to the left fork leg as shown.



- Install the right pad assembly [A] to the right fork leg.
- Install the washer [3].
- Tighten the nut [2].

Torque – Front Axle Slider Mounting Nut: 34 N·m (3.5 kgf·m, 25 ft·lb)



- Install the cap [1] on both sides.



Check tightness of all fasteners in regular interval. Retighten loose fasteners.