

Assembly Instructions

Model:	KLZ1000BH/BJ, KLZ1000C/D
Description:	GPS Navi Bracket
Part Number:	99994-0973
Flat Rate Time(Hr):	0.1

Before you begin, read through these instructions and check that all parts are present. Please note that Kawasaki cannot assume any responsibility for damage resulting from incorrect installation.

Kawasaki recommends that all genuine accessories should be fitted by an authorized Kawasaki dealer.

The following symbols indicate the information for proper installation and operation in this instruction.

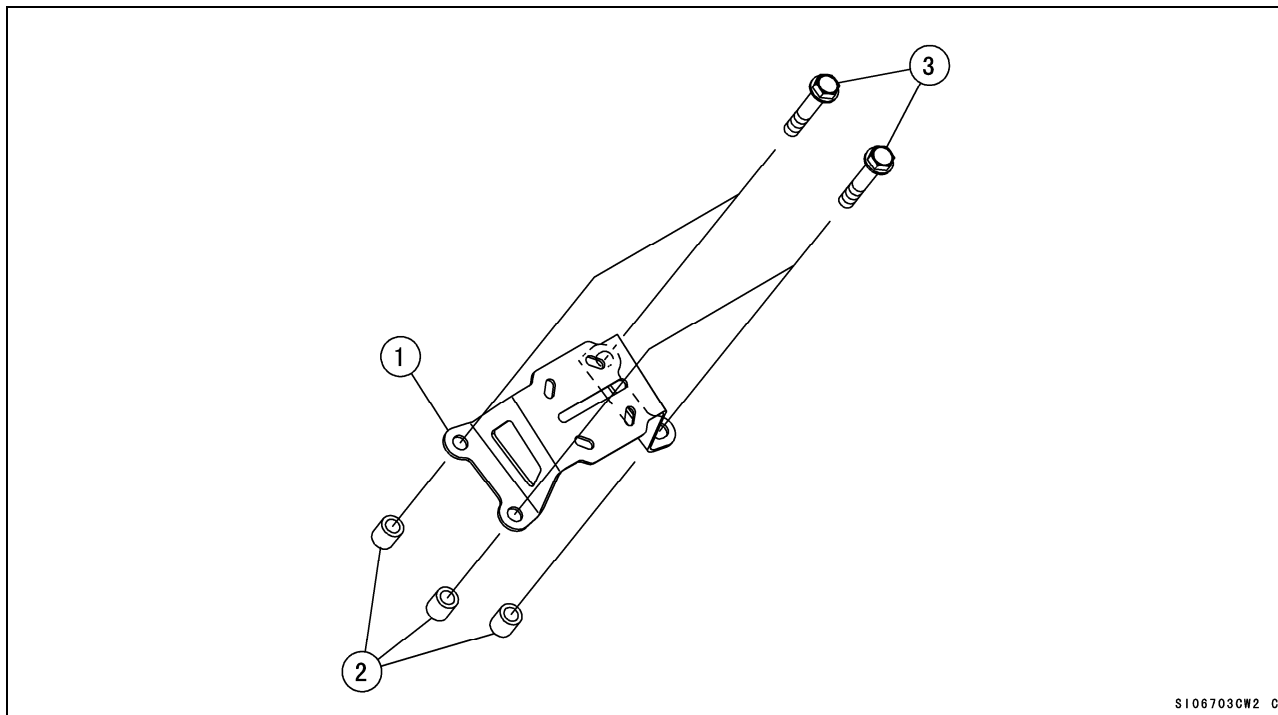
NOTE : NOTE indicates information that may help or guide you in the operation or service of the vehicle.

● Indicates a procedural step or work to be done.

NOTE

- The photos in this manual are posted KLZ1000BH models.
- The KLZ1000C/D models can be installed in the same procedure.

Parts List				
No.	Component Name	Part No.	Qty	Remark
1	Bracket	11057-0719	1	
2	Collar	92152-2215	4	
3	Bolt	92154-1706	4	



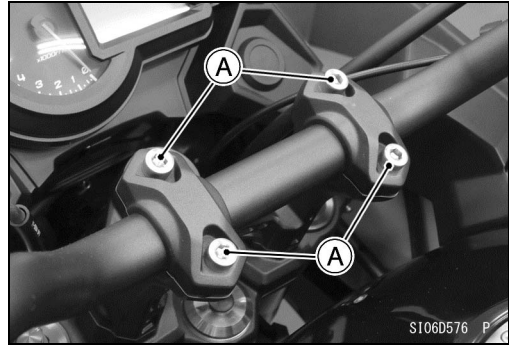
S1067030W2 C

Installation Instructions

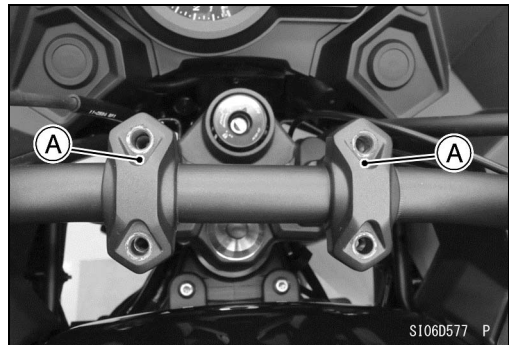
- Remove the handlebar holder bolts [A].

NOTE

- *The removed bolts are not necessary for this accessory.*



- Position the arrow marks [A] face forward.



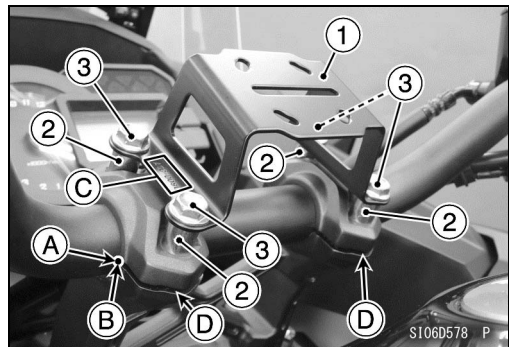
- Align the punch mark [A] on the handlebars and the corner edge [B] on the lower handlebar holder.

- Install:

Collars [2]
Bracket [1]
Bolts [3]

NOTE

- *Position the mark [C] to the left side.*



- Tighten the front holder bolts first, and then the rear holder bolts. There will be a gap [D] at the rear part of the holder after tightening.

Torque – Handlebar Holder Bolts: 25 N·m (2.5 kgf·m, 18 ft·lb)

Check tightness of all fasteners in regular interval. Retighten loose fasteners.