

Assembly Instructions

Model:	ZR900A/B
Description:	Radiator Screen
Part Number:	99994-0871
Flat Rate Time(Hr):	0.3

Before you begin, read through these instructions and check that all parts are present. Please note that Kawasaki cannot assume any responsibility for damage resulting from incorrect installation.

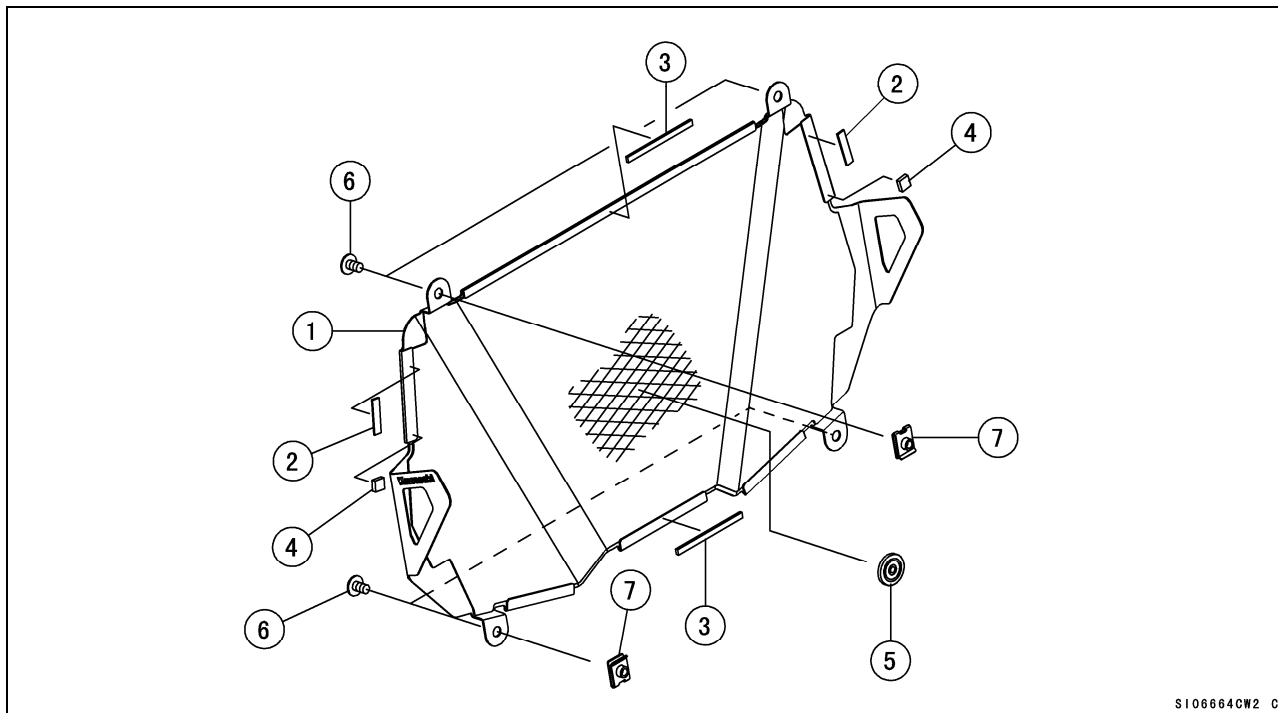
Kawasaki recommends that all genuine accessories should be fitted by an authorized Kawasaki dealer.

The following symbols indicate the information for proper installation and operation in this instruction.

- Indicates a procedural step or work to be done.

Refer to the Service Manual (P/No.: 99924-1525-01) for detailed procedures.

Parts List				
No.	Component Name	Part No.	Qty	Remark
1	Screen	14037-0780	1	
2	Pad	39156-2167	2	
3	Pad	39156-2189	2	
4	Damper	92161-1976	2	
5	Damper	92161-1685	1	
6	Bolt	92153-1527	4	
7	Nut	92210-1518	4	

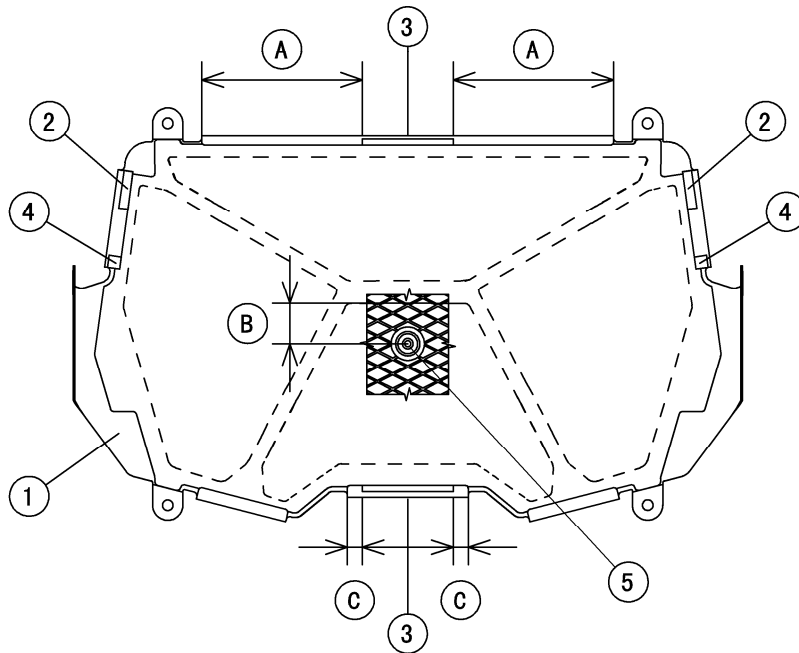


S1066640W2 C

Installation Instructions

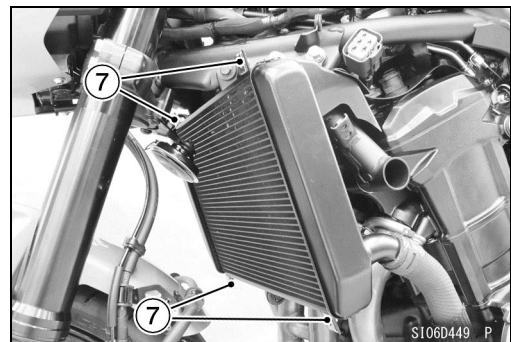
NOTE

- *The radiator can become extremely hot and cause burns. Waiting for the engine to cool down enough, installing this kit.*
- *Install the radiator screen so that the radiator is not damaged.*
- *Safely installing the radiator screen with wearing protective gloves.*
- Remove the middle fairing and fuel tank cover (Refer to the Service Manual).
- Install the following parts to the screen [1].
 - Pads [2]
 - Pads [3]
 - Dampers [4]
 - Damper [5]
 - Gap [A]: about 106 mm (4.17 in.)
 - Gap [B]: about 27 mm (1.06 in.)
 - Gap [C]: about 10 mm (0.39 in.)



S106665CW2 C

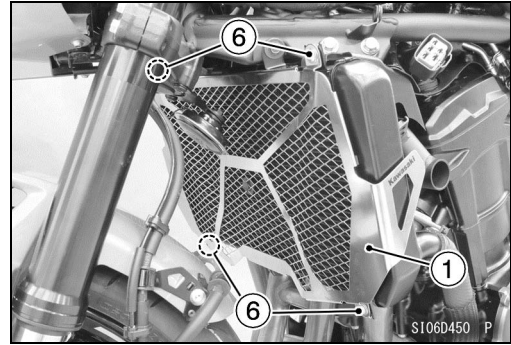
- Install the nuts [7].



S106D449 P

- Install the following parts to the radiator.

Screen [1]
Bolts [6]



- Install the removed parts (Refer to the Service Manual).

Basic Torque for General Fasteners

The table below, relating tightening torque to thread diameter, lists the basic torque for the bolts and nuts. Use this table for only the bolts and nuts which do not require a specific torque value. All of the values are for use with dry solvent-cleaned threads.

Threads dia. (mm)	Torque		
	N·m	kgf·m	ft·lb
5	3.4 ~ 4.9	0.35 ~ 0.50	30 ~ 43 in·lb
6	5.9 ~ 7.8	0.60 ~ 0.80	52 ~ 69 in·lb
8	14 ~ 19	1.4 ~ 1.9	10 ~ 13.5
10	25 ~ 34	2.6 ~ 3.5	19 ~ 25
12	44 ~ 61	4.5 ~ 6.2	33 ~ 45
14	73 ~ 98	7.4 ~ 10.0	54 ~ 72
16	115 ~ 155	11.5 ~ 16.0	83 ~ 115
18	165 ~ 225	17.0 ~ 23.0	125 ~ 165
20	225 ~ 325	23.0 ~ 33.0	165 ~ 240

Check tightness of all fasteners in regular interval. Retighten loose fasteners.