

# Kawasaki

## Assembly Instructions

Model:	EN650A/B
Description:	Tie Rod (L = 180 mm)
Part Number:	99994-0674

Before you begin, read through these instructions and check that all parts are present. Please note that Kawasaki cannot assume any responsibility for damage resulting from incorrect installation.

Kawasaki recommends that all genuine accessories should be fitted by an authorized Kawasaki dealer.

The following symbols indicate the information for proper installation and operation in this instruction.

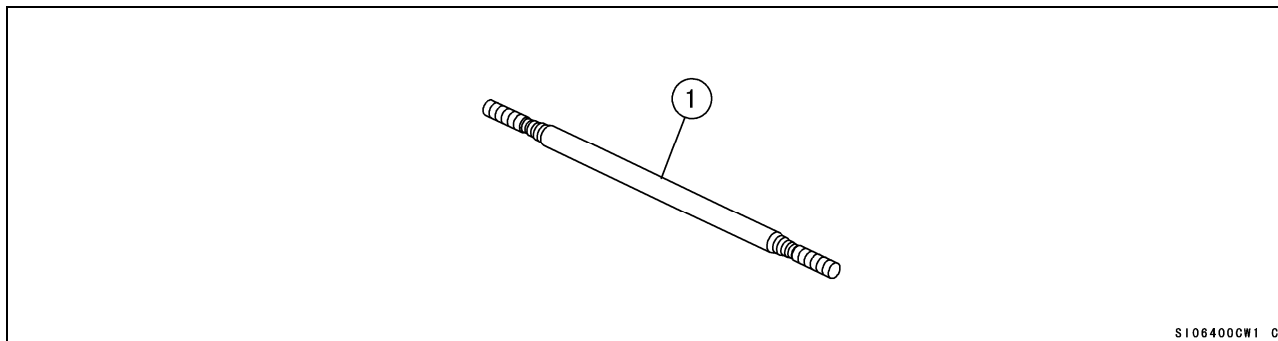
**NOTE** : NOTE indicates information that may help or guide you in the operation or service of the vehicle.

- Indicates a procedural step or work to be done.
- Indicates a procedural sub-step or how to do the work of the procedural step it follows. It also precedes the text of a NOTE.

### NOTE

- After the footpeg position is changed, shift and brake operation must be confirmed.
- Riding position changes when installing this kit, the shift and brake feeling may change.

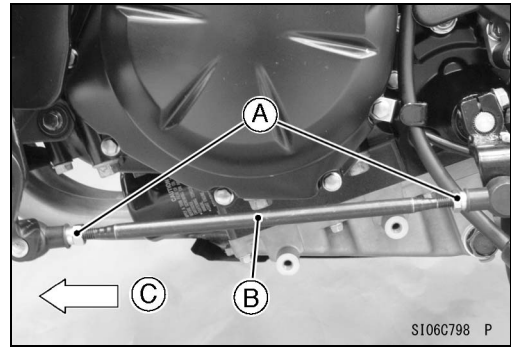
Parts List				
No.	Component Name	Part No.	Qty	Remark
1	Tie Rod	39111-0336	1	L = 180 mm



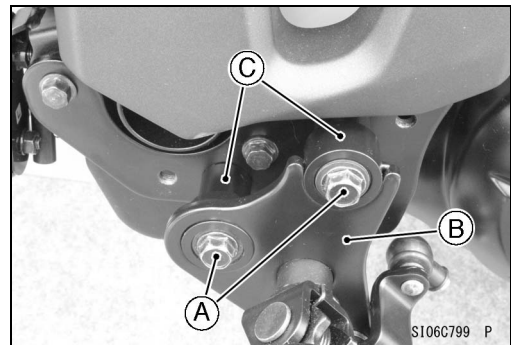
S106400CW1 C

## Installation Instructions

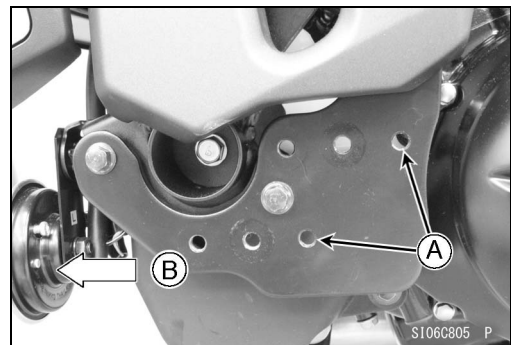
- Loosen the tie-rod locknuts [A] fully.
- The rear locknut has left-hand threads.
- Remove the tie-rod [B] and locknuts.  
[C] Forward



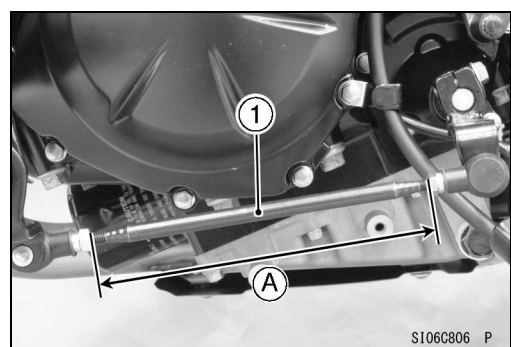
- Remove:  
Left Footpeg Bracket Bolts [A] and Washers  
Left Footpeg Assy [B]  
Collars [C]



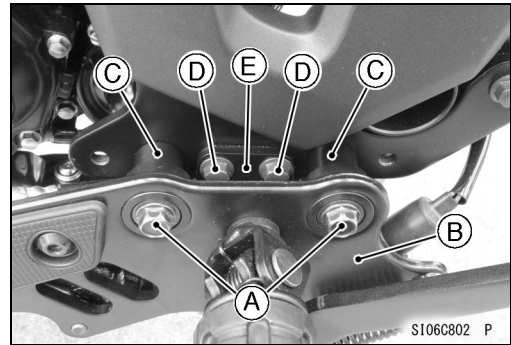
- Using the rear side screw holes [A] on the footpeg bracket holder, install the left footpeg assy.
- Install the collars so that the rubber side faces outward.
- Tighten:  
**Torque – Left Footpeg Bracket Bolts: 25 N·m (2.5 kgf·m, 18 ft·lb)**  
[B] Forward



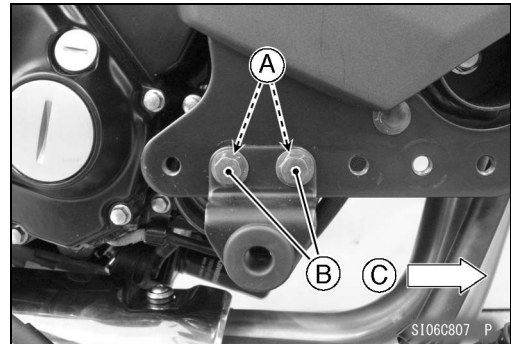
- Install the locknut to the tie-rod [1] in this kit.
- Install the tie-rod with length between locknuts as shown.  
154 ±1 mm (6.06 ±0.04 in.) [A]
- Tighten:  
**Torque – Tie-rod Locknuts: 9.8 N·m (1.0 kgf·m, 87 in·lb)**



- Remove:
  - Right Footpeg Bracket Bolts [A] and Washers
  - Right Footpeg Assy [B]
  - Collars [C]
  - Bracket Bolts [D]
  - Bracket [E]



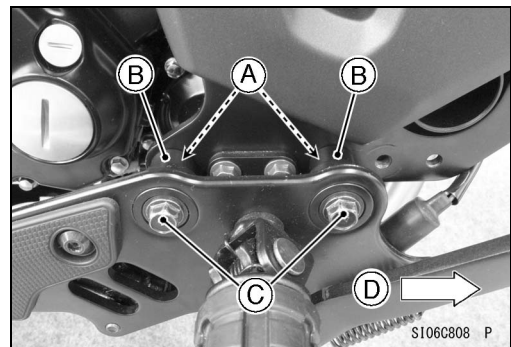
- Install the bracket to the fourth and fifth screw holes [A] from the front.
- Tighten the bracket bolts [B] securely.
- [C] Forward



- Install the right footpeg assy to the third and most rear screw holes [A].
- Install the collars [B], and tighten the right footpeg bracket bolts [C].

**Torque – Right Footpeg Bracket Bolts: 25 N·m (2.5 kgf·m, 18 ft·lb)**

[D] Forward



### Basic Torque for General Fasteners

The table below, relating tightening torque to thread diameter, lists the basic torque for the bolts and nuts. Use this table for only the bolts and nuts which do not require a specific torque value. All of the values are for use with dry solvent-cleaned threads.

Threads dia. (mm)	Torque		
	N·m	kgf·m	ft·lb
5	3.4 ~ 4.9	0.35 ~ 0.50	30 ~ 43 in·lb
6	5.9 ~ 7.8	0.60 ~ 0.80	52 ~ 69 in·lb
8	14 ~ 19	1.4 ~ 1.9	10 ~ 14
10	25 ~ 34	2.5 ~ 3.5	18 ~ 25
12	44 ~ 61	4.5 ~ 6.2	32 ~ 45
14	73 ~ 98	7.4 ~ 10	54 ~ 72
16	115 ~ 155	11.7 ~ 15.8	84.8 ~ 114
18	165 ~ 225	16.8 ~ 22.9	122 ~ 166
20	225 ~ 325	22.9 ~ 33.1	166 ~ 240

**Check tightness of all fasteners in regular interval. Retighten loose fasteners.**