

# Kawasaki

## Assembly Instructions

Part Number	Description	Model	Approx. Assembly Time
99994-0546	KQR™ Windshield Fork Bracket Kit	Vulcan S EN650A/B/C/D	0.3 hr

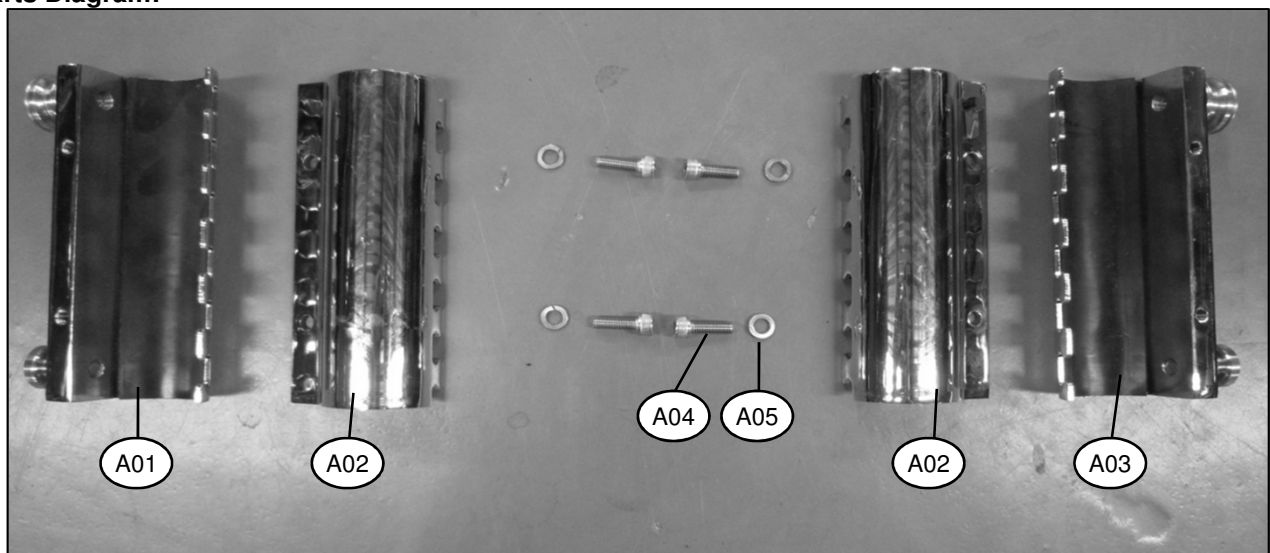
Improper installation of this accessory could result in an accident causing serious bodily injury or death. To prevent an accident, be sure that this accessory is properly and securely installed on your vehicle. If you cannot properly install this accessory yourself, have a professional installer, such as an authorized Kawasaki dealer, install it for you.

Prior to each use, check to be sure the accessory is securely attached to the motorcycle and periodically inspect the accessory for any required adjustment, wear, and damage.

### Parts List:

Ref. #	Description	Qty
A01	KQR™ Windshield Bracket Left Spool Bracket	1
A02	KQR™ Windshield Bracket Clamp	2
A03	KQR™ Windshield Bracket Right Spool Bracket	1
A04	M6 x18 mm Hex Socket Screw	4
A05	M6 Lock Washer	4

### Parts Diagram:

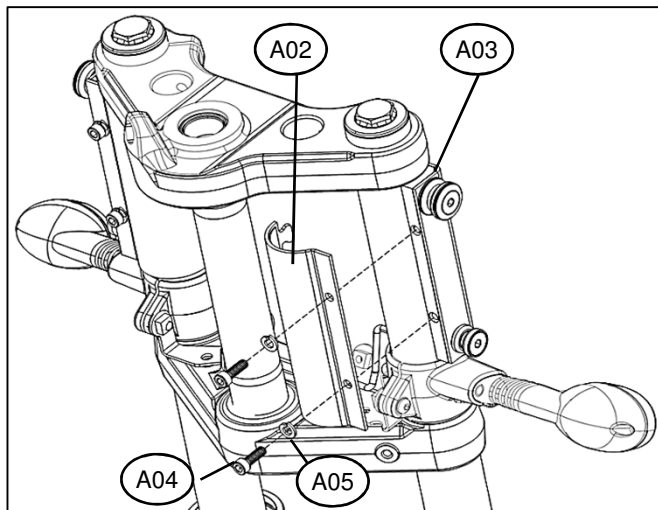




### Installation Instructions:

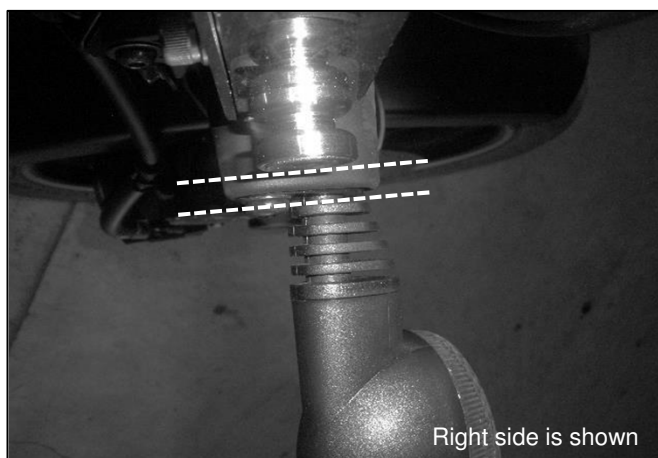
1. Park the vehicle on level ground and turn off the ignition switch.
2. Remove the M6 x18 mm Hex Socket Screws (A04) and M6 Lock Washers (A05) from the assembled front fork clamps, then separate the Clamps (A02) from the Spool Brackets (A01 and A03).

3. Turn the handlebars fully to the left and install the KQR™ Windshield Bracket Right Spool Bracket (A03) with a KQR™ Windshield Bracket Clamp (A02) onto the right fork tube as shown. Make sure to mesh the clamp hinge which will align the screw holes, then loosely install two of the M6 x18 mm Hex Socket Screws (A04) and M6 Lock Washers (A05).



4. Turn the handlebars fully to the right and repeat Step 3 with KQR™ Windshield Bracket Left Spool Bracket (A01), KQR™ Windshield Bracket Clamp (A02) and remaining parts onto the left fork tube.

5. Once ensure the spools are in line with the turn signal as shown, tighten the four M6 x18 mm Hex Socket Screws (A04) to 15 Nm (11 ft lb).



6. Proceed to Windshield Bracket (99994-0526/99994-0526B) installation (see separate instructions).

Please check / adjust all screws in regular intervals.