



# YOSHIMURA

RESEARCH&DEVELOPMENT OF AMERICA, INC.

5420 DANIELS STREET STE A, CHINO CA., 91710 · (800) 634-9166 · (909) 628-4722 · FAX (909) 591-2198

[www.yoshimura-rd.com](http://www.yoshimura-rd.com)

## **ENDURO SERIES**

Qualified Manufacturer Declared "Replacement Part"

**2019**  
**Honda CRF450X**  
**224502D320 (AL/CF)**  
**RS-4 Stainless Steel Slip-On**



Enduro Series systems are:

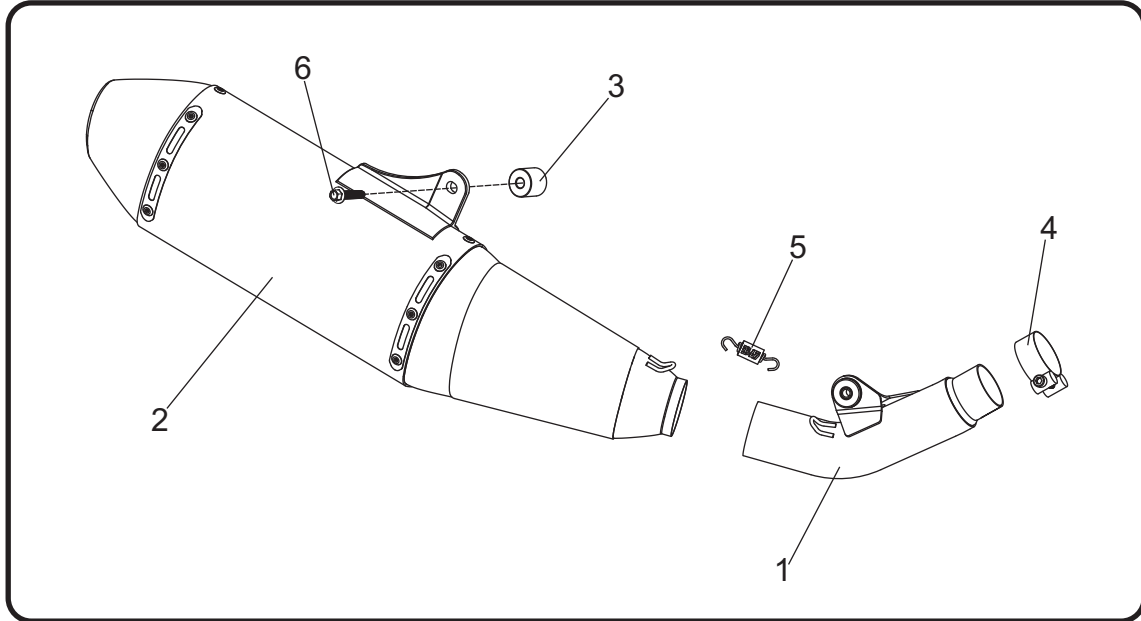
- Equipped with USFS-approved spark arrestor.
- CARB/EPA tail-pipe emissions compliant.
- All applications are marked with appropriate EPA noise labels.
- Have not been tested for EPA new vehicle noise compliance.



✘ You must know how to remove and replace your stock exhaust in order to install this product otherwise have it installed by a professional mechanic. Keep all stock parts from your existing system as some components may be necessary to install your new Yoshimura exhaust depending on the application. Read through all instructions before beginning installation. Exhaust system can be extremely hot. Let motorcycle cool down before beginning installation. Always wear hand and eye protection and take precautionary measures to avoid injury. ✘

NOTE: IN THE STATE OF CALIFORNIA, IT IS ILLEGAL TO MODIFY THE EMISSION CONTROL SYSTEM, WHICH INCLUDES THE CARBURETORS OF ANY VEHICLE.

## Assembly Diagram



No.	Item	Description	Qty.
1	22450-152	Yoshimura Tailpipe	1
2	224500D320-RMA	Yoshimura Muffler	1
3	8X22SPC	Aluminum Spacer	1
4	22057	Exhaust Clamp	1
5	RACE-SPX-2	Short Exhaust Spring	1
6	M8X45H	8mm x 40mm Flanged Hex Head Bolt	1
**	SA-04-K	Spark Arrester Kit	1
**	ST-200	Spring Puller Tool	1
**	17100	Sticker Kit Sheet	1

\*\* Not shown in diagram.

**CAUTION:** Exhaust system can be extremely hot. Let motorcycle cool down before beginning installation. Always wear hand and eye protection and take precautionary measures to avoid injury.

**WARNING:** Always properly support vehicle with a stand and/or lift when servicing or performing any work. Unstable vehicles may present dangerous conditions and may cause property damage and/or personal injury.

**NOTE:** Read through all instructions before beginning installation.

---

## Removal

---

1. Remove right side panel.
2. Loosen muffler exhaust clamp and remove muffler chassis mount bolt.
3. While securely supporting the muffler assembly, remove muffler mount bolt and carefully remove the stock muffler assembly by sliding toward the rear.
4. The muffler exhaust gasket will not be used with the Yoshimura slip-on. Remove from header outlet.

---

## Installation

---

1. Slide (No. 4) *27-56MSH*, exhaust clamp onto (No. 1) *22450-152*, tailpipe inlet. Do not torque at this time.
2. Install (No. 1) *22450-152*, tailpipe onto header outlet. Align tailpipe bracket to chassis mount and secure using the stock muffler chassis mount bolt. Do not torque at this time.
3. Install (No. 2) *224500D320-RMA*, muffler onto (No. 1) *22450-152*, tailpipe outlet. Using the (No. 3) *8X22SPC*, aluminum spacer, align muffler mount bracket to muffler mount and secure using (No. 6) *M8X40H*, 8mm bolt as shown on the assembly diagram. Torque bolt to 23 Nm (2.3 kg-m, 17 ft-lb).
4. Torque stock muffler tailpipe chassis mount bolt to factory specification.

5. Torque (No. 4) *27-56MSH*, exhaust clamp to 8.5 Nm (0.86 kg-m, 6 ft-lb).
6. Install (No. 5) *RACE-SPX-2*, short exhaust spring between muffler and tailpipe using the supplied *ST-200*, spring puller tool.
7. Re-install right side panel following the opposite steps of removal.

Note: Check to make sure the side panel is not contacting the tailpipe. If necessary, trim the bottom right corner of the side panel.



8. Before starting motorcycle, check for proper clearance between new exhaust system and rear suspension (i.e. tire, swingarm, brakes, rear shock, and etc.) If any problem is found, please carefully follow through the installation steps again. If problem still persists, please call Yoshimura Tech Department at (800) 634-9166 / in CA (909) 628-4722.
9. It is recommended that the muffler and tailpipe be wiped down with rubbing alcohol to remove oil and fingerprints. This will help prevent tarnishing of the finish after the exhaust is heated up.

Note: After starting motorcycle, it is normal for new exhaust system and muffler to emit smoke until oil residue burns off.