



**EVOTECH**®  
P E R F O R M A N C E

**Installation Instructions**

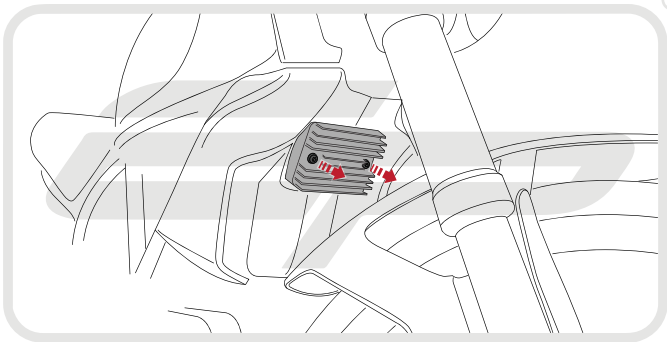


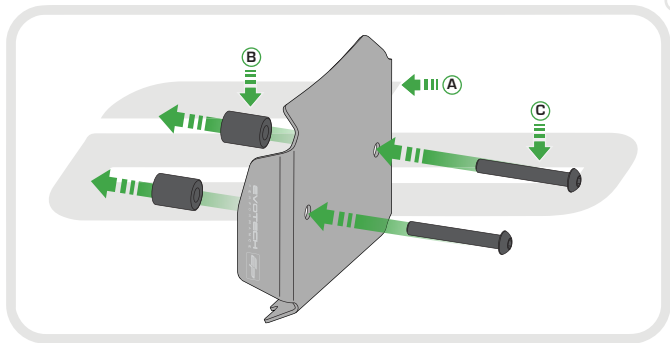
## DUCATI SCRAMBLER 2015 RECTIFIER GUARD

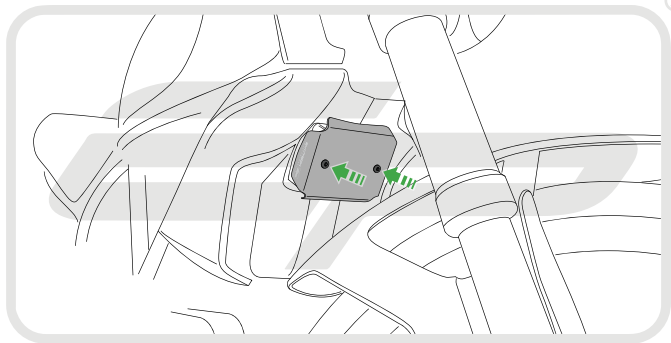
Product Reference - 12254

### Kit Contents

- Ⓐ 1 x Rectifier Guard
- Ⓑ 2 x Mounting Spacers
- Ⓒ 2 x M6 - 45 Button Head Screws









### ESSENTIAL CHECKS

It is recommended that periodic inspections are made to ensure that dirt and debris have not become trapped between the guard and the rectifier. Such dirt and debris would reduce the efficiency of the rectifier.

It is recommended that periodic inspections are made to ensure that all fixings are fully tightened.



**EVOTECH**®  
P E R F O R M A N C E

[www.evotech-performance.com](http://www.evotech-performance.com)