



EVOTECH®
P E R F O R M A N C E

Installation Instructions

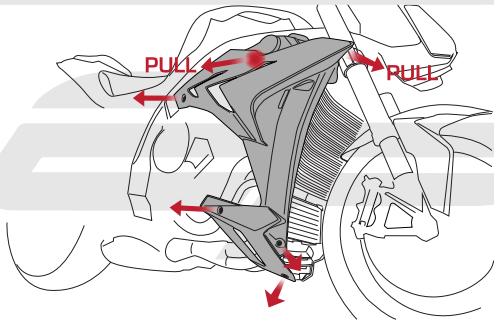


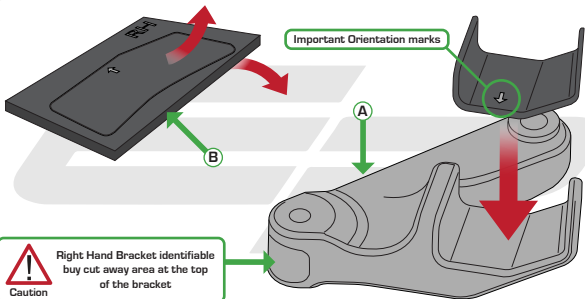
BMW S1000R 2013 CRASH PROTECTION

Product Reference - 11811

Kit Contents

- | | |
|-------------------------------|---|
| A 1 x RH Bracket | G 1 x M10 - 60 x 1.5 Cap Head Bolt |
| B 1 x RH Neoprene Foam | H 1 x M10 - 70 x 1.5 Cap Head Bolt |
| C 1 x RH Bobbin Spacer | I 1 x M10 - 75 x 1.5 Cap Head Bolt |
| D 1 x LH Bracket | J 1 x M10 - 90 x 1.5 Cap Head Bolt |
| E 1 x LH Neoprene Foam | K 2 x Bobbin Heads |
| F 1 x LH Bobbin Spacer | L 2 x M10 Washers |







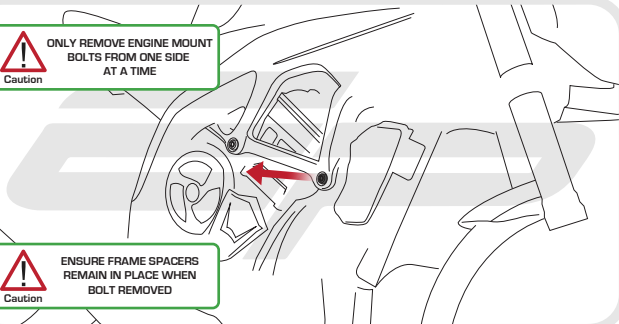
Caution

**ONLY REMOVE ENGINE MOUNT
BOLTS FROM ONE SIDE
AT A TIME**



Caution

**ENSURE FRAME SPACERS
REMAIN IN PLACE WHEN
BOLT REMOVED**





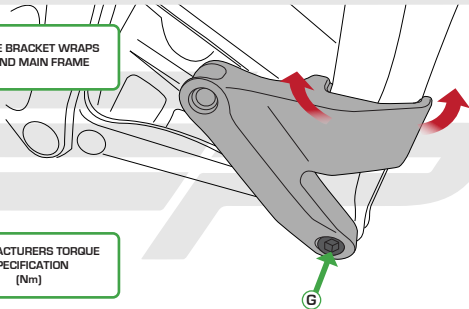
Caution

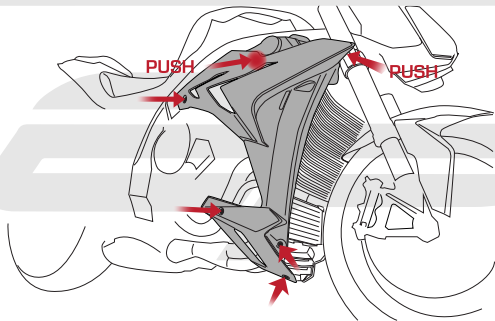
ENSURE BRACKET WRAPS
AROUND MAIN FRAME

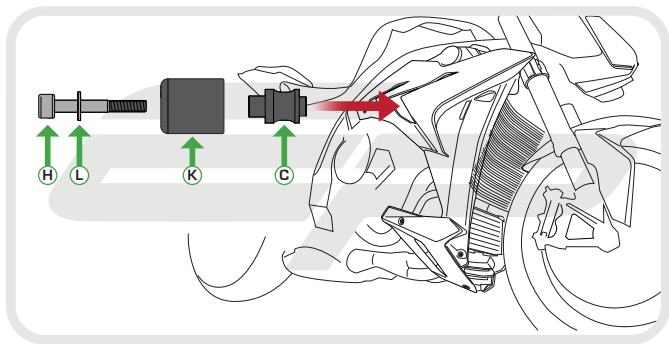


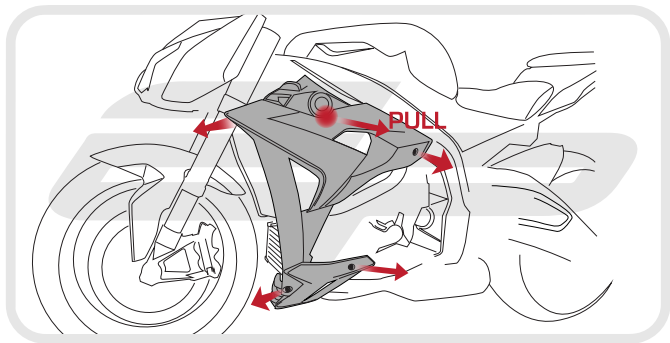
Caution

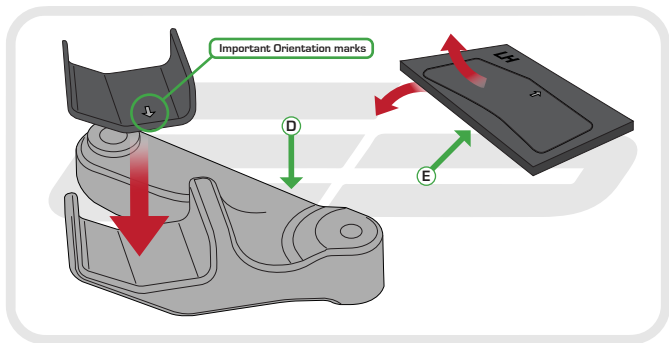
MANUFACTURERS TORQUE
SPECIFICATION
(Nm)









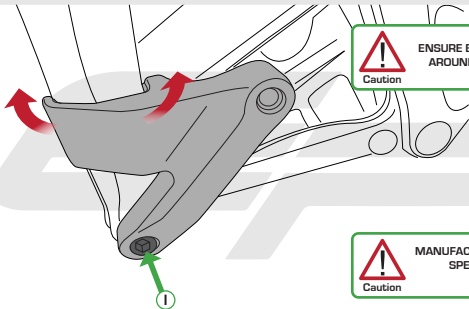




Caution

ONLY REMOVE ENGINE MOUNT
BOLTS FROM ONE SIDE
AT A TIME



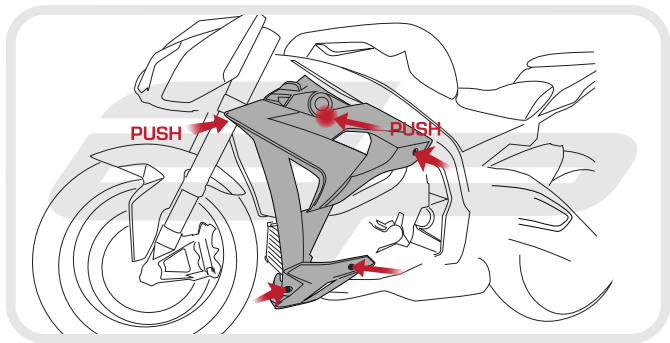


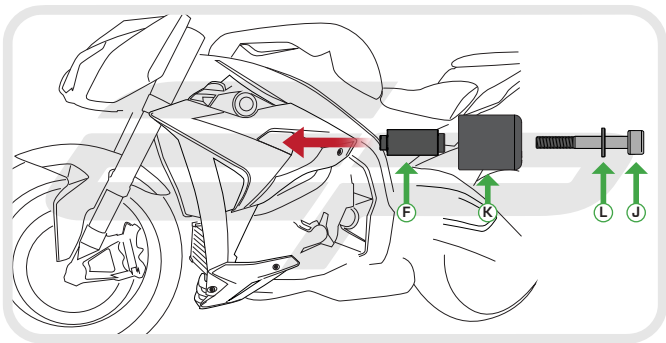
Caution

**ENSURE BRACKET WRAPS
AROUND MAIN FRAME**

Caution

**MANUFACTURERS TORQUE
SPECIFICATION
(Nm)**





EVOTECH[®]
P E R F O R M A N C E



 **ESSENTIAL CHECKS** 

It is recommended that periodic inspections are made to ensure that all bolts are tightened to the specified torque settings.

Should the bike be involved in an accident a thorough inspection should be made and any components that have taken an impact, no matter how small, be replaced



EVOTECH[®]
P E R F O R M A N C E

www.evotech-performance.com