



Fender Eliminator Kit

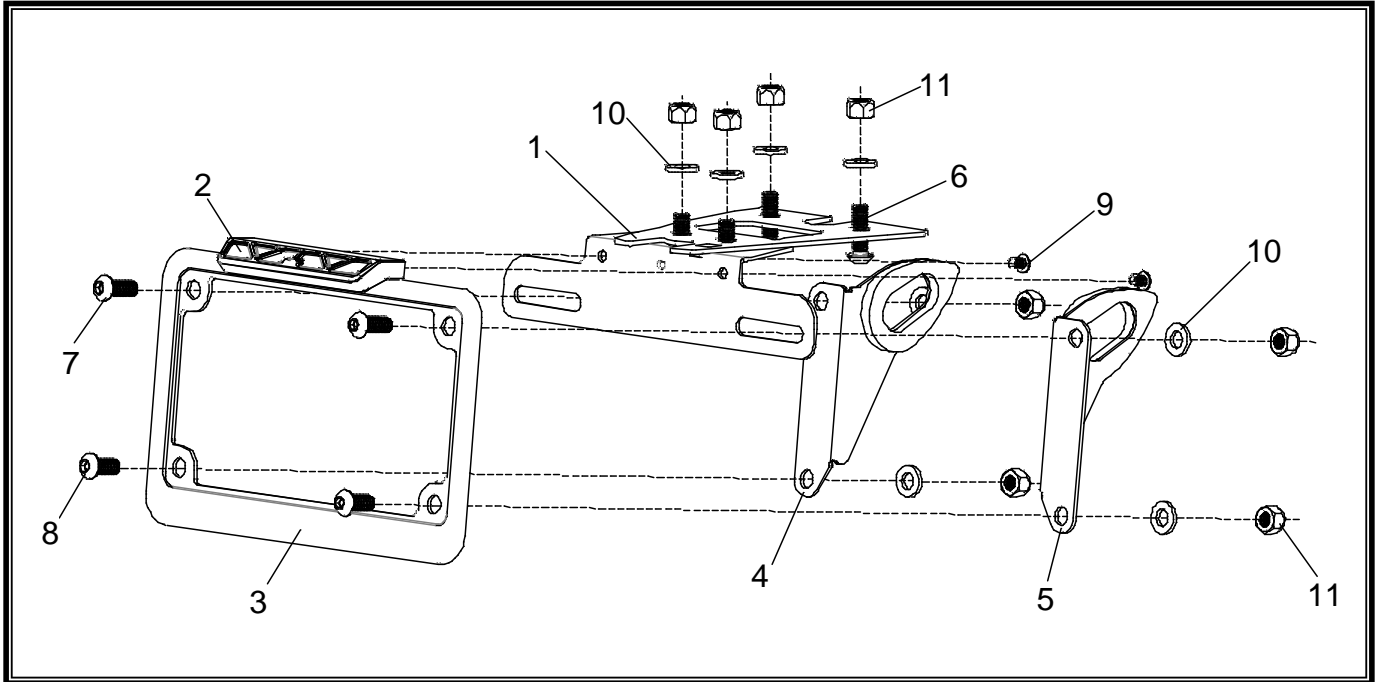
APPLICATION

MAKE	MODEL
Honda	CB1000R

PRODUCT

070BG121002	Fender Eliminator Kit
-------------	-----------------------

! This product is not DOT approved. Yoshimura R&D of America, Inc. is not liable or responsible for any resulting event caused by the installation of this product. Check with local laws and regulations for compliance prior to installation and use. This product is not intended for use on public highways.



No.	Part #	Description	Qty
1	12100-FEBKT	Yoshimura Fender Eliminator Bracket	1
2	070BG-LH-K1	Yoshimura LED License Plate Light	1
3	070BG-LPF	Yoshimura Aluminum License Plate Frame	1
4	12200-TSB-L	Left Turn Signal Bracket	1
5	12200-TSB-R	Right Turn Signal Bracket	1
6	M6X20BHS	6mm x 20mm Button Head Screw	4
7	M6X16BHS	6mm x 16mm Button Head Screw	2
8	M6X14BHS	6mm x 14mm Button Head Screw	2
9	M4X6BHS	4mm x 6mm Button Head Screw	2
10	6MMWASHER	6mm Washer	8
11	6MMLN	6mm Lock Nut	8
**	BN-SSS-22-18	Butt Connectors	2
**	17029	Yoshimura Sticker Sheet	1
<i>Optional Parts (not incl.)</i>			
***	070BGUNVTBKT	Universal Turn Signal Bracket Kit	

-TOOLS REQUIRED-

Metric Socket Set • Combination Wrench Set • Metric Allen Wrench Set

-REMOVAL-

- 1. Remove passenger seat.**
- 2. Disconnect brake light, turn signal, and license plate light wires.**
- 3. Remove the (4) bolts securing the stock fender assembly from under the passenger seat.**
- 4. Carefully remove stock fender assembly.**
- 5. Remove turn signals and rubber turn signal grommet from the stock fender assembly as they will be used with the Yoshimura Fender Eliminator Kit.**
- 6. Cut the stock license plate light connector from the stock fender assembly. Be sure to cut at least a 6" section of wire from the connector.**

-INSTALLATION-

- 1. Install Yoshimura license plate light onto Yoshimura fender eliminator bracket using the (2) provided 4mm button head screws. See diagram for proper orientation.**
- 2. Install Yoshimura fender eliminator bracket using the hardware supplied in the kit. See diagram for proper orientation.**
- 3. Install rubber turn signal grommet onto Yoshimura Turn Signal Bracket and install stock turn signals.**
- 4. Install turn signal bracket onto Yoshimura Fender Eliminator using supplied hardware. See diagram for proper orientation.**
- 5. Using the connectors provided in the kit, connect the Yoshimura license plate light wires to the stock license plate light as follows: Red wire goes to Black/Grey; Black wire goes to Green.**
 - a) Strip the stock fender light wire ends $\frac{1}{4}$ " – $\frac{1}{2}$ " and insert into BN-SSS-22-18, butt connectors provided in the kit.**
 - b) Center the spliced wire ends in the middle and using a heatgun or lighter, apply heat evenly on the outer edges of the butt connector to shrink and hold wires in place.**
 - c) Making sure that the stripped ends are centered, heat the center of the butt connector evenly until the solder begins to liquefy.**
 - d) Allow to cool completely and tug both ends of the wires to verify that connection is secured.**

Scan for link to butt connector instruction video.



- 6. Route wires underneath passenger seat and reconnect turn signal, brake light, and license plate light wires.**

- 7. Re-install passenger seat.**
- 8. Check for function of license plate light and turn signals and that all brackets and components are secure prior to riding.**