




Fender Eliminator Kit

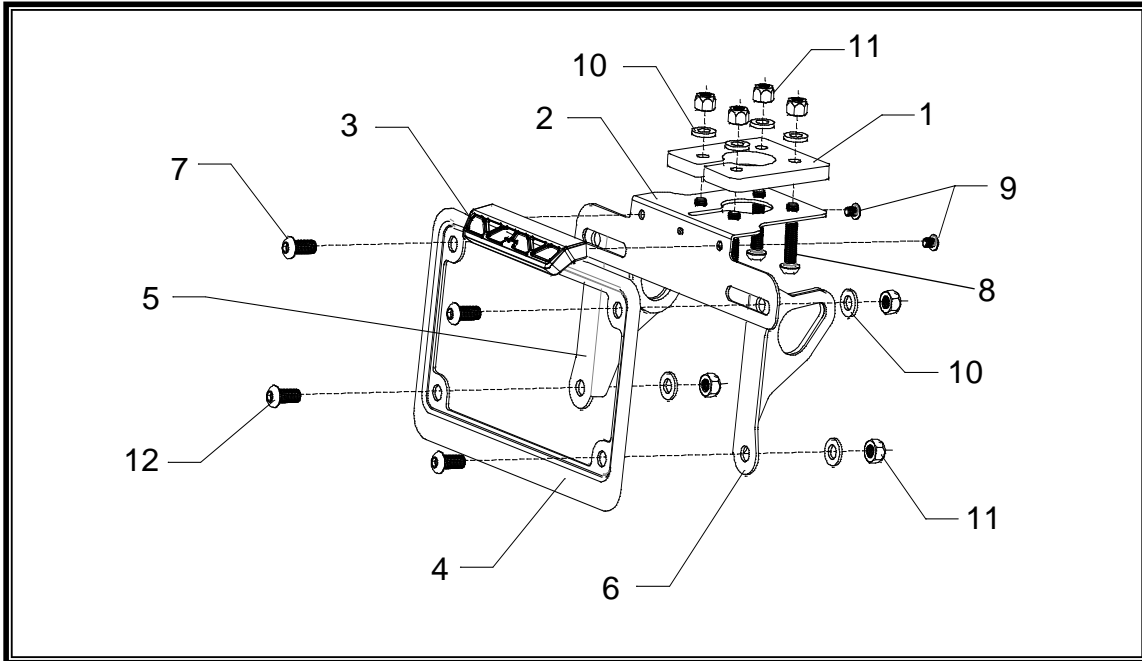
APPLICATION

MAKE	MODEL
Yamaha	YZF-R6V

PRODUCT

070BG136303	Fender Eliminator Kit
-------------	-----------------------

 This product is not DOT approved. Yoshimura R&D of America, Inc. is not liable or responsible for any resulting event caused by the installation of this product. Check with local laws and regulations for compliance prior to installation and use. This product is not intended for use on public highways.



No.	Part #	Description	Qty
1	1363-FEB	Yoshimura Fender Eliminator Bracket	1
2	13630-FEBKT	Yoshimura License Plate Bracket	1
3	070BG-LH-K1	Yoshimura LED License Plate Light	1
4	070BG-LPF	Yoshimura License Plate Frame	1
5	13630-TSBL-00	Left Turn Signal Bracket	1
6	13630-TSBR-00	Right Turn Signal Bracket	1
7	M6X16BHS	6mm x 16mm Button Head Screw	2
8	M6X30BHS	6mm x 30mm Button Head Screw	4
9	M4X6BHS	4mm x 6mm Button Head Screw	2
10	6MMWASHER	6mm Washer	8
11	6MMLN	6mm Nylon Lock Nut	8
12	M6X14BHS	6mm x 14mm Button Head Screw	2
**	ZT-200	Zip Ties	3
**	BN-SSS-22-18	Butt Connectors	2
**	17029	Yoshimura Sticker Sheet	1
<i>Optional Parts (not incl.)</i>			
***	070BGUNVTBKT	Universal Turn Signal Bracket Kit	

-TOOLS REQUIRED-

Metric Socket Set • Combination Wrench Set • Metric Allen Wrench Set

-REMOVAL-

- 1. Remove passenger and rider seat and disconnect the license plate light, turn signals, and tail light connectors.**
- 2. Remove tail and cowl section.**
- 3. Remove rear seat locking assembly.**
- 4. Remove fairing cross-plate bracket by removing the (4) allen bolts and (4) screws.**
- 5. Remove ECU from tray. DO NOT DISCONNECT ECU.**
- 6. Remove the (3) push tabs securing the tray in place and lift tray to access the (4) fairing bolts.**
- 7. Remove the stock fender by removing the (4) bolts.**
- 8. Remove stock turn signals from stock fender assembly.**
- 9. Cut the stock license plate light connector from the stock fender. BE SURE TO CUT AT LEAST A 6" SECTION OF WIRE FROM THE CONNECTOR.**

-INSTALLATION-

- 1. Install Yoshimura LED license plate light onto Yoshimura license plate bracket using the (2) 4mm screws provided in the kit. See diagram for proper orientation.**
- 2. Using the connectors provided in the kit, connect the Yoshimura LED license plate light wires to the stock license plate light connector as follows: Red wire goes to White wire; Black wire goes to Black w/ White stripe. (For 2011-2015 Models, Red wire goes to Blue w/ Red Stripe; Black wire goes to Black.)**
 - A) Strip the stock fender light wires ends $\frac{1}{4}$ " - $\frac{1}{2}$ " and insert into BN-SSS-22-18, butt connectors provided in the kit.**
 - B) Center the spliced wire ends in the middle and using a heat gun or lighter, apply heat evenly on the outer edges of the butt connector to shrink and hold wires in place.**
 - C) Making sure that the stripped ends are centered, heat the center of the butt connector evenly until the solder begins to liquify.**
 - D) Allow to cool completely and tug both ends of the wires to verify that connection is secured.**

Scan for link to butt connector instruction video.



- 3. Install Yoshimura Fender Eliminator kit as shown in the parts diagram. Note the order of components mounted to the subframe; the Yoshimura Fender Bracket plate fits between the stock tail and the Yoshimura License Plate Bracket.**
- 4. Install stock turn signals onto Yoshimura turn signal brackets using the reverse steps of removal.**
- 5. Route wiring through hole in bracket, then through tail section to stock location. Connect license plate light connector to stock harness. Use zip ties to secure license plate light wires.**
- 6. Re-install all components opposite of removal.**
- 7. Check for function of license plate light and that all brackets and pieces are secure prior to riding.**