



YOSHIMURA

RESEARCH&DEVELOPMENT OF AMERICA, INC.

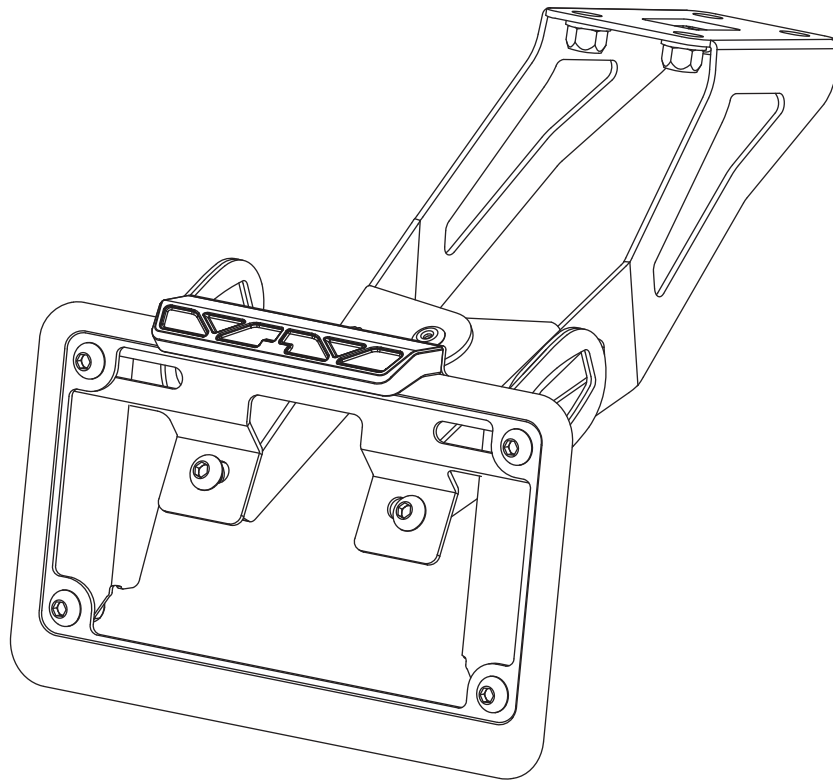
5420 DANIELS STREET STE A, CHINO CA., 91710 · (800) 634-9166 · (909) 628-4722 · FAX (909) 591-2198

www.yoshimura-rd.com

FENDER ELIMINATOR KIT

070BG141602

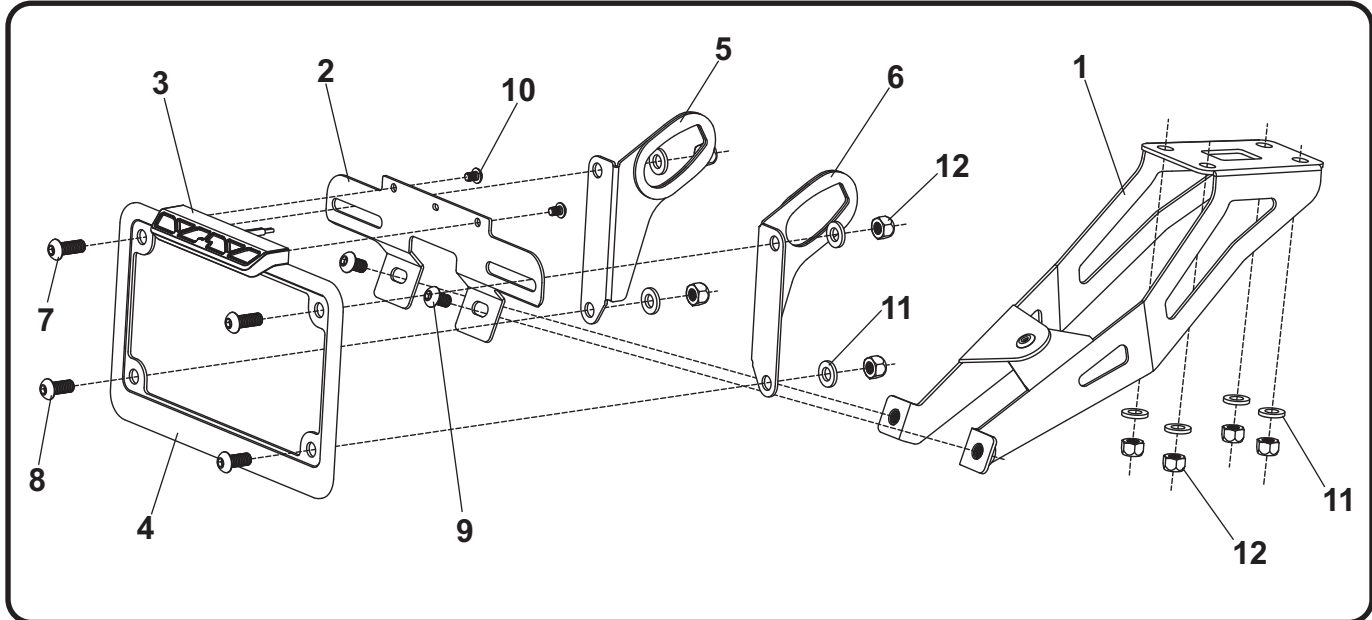
Kawasaki Ninja 1000



THIS PRODUCT IS NOT DOT APPROVED.

Yoshimura R&D of America, Inc. is not liable or responsible for any resulting event caused by the installation of this product. Check with local laws and regulations for compliance prior to installation and use. This product is not intended for use on public highways.





No.	Item	Description	Qty.
1	14160-FEBKT	Fender Eliminator Bracket	1
2	12200-FEBKT	License Plate bracket	1
3	070BG-LH-K1	LED License Plate Light	1
4	070BG-LPF	License Plate Frame	1
5	14650-TSL-BKT	Left Turn Signal Bracket	1
6	14650-TSR-BKT	Right Turn Signal Bracket	1
7	M6X16BHS	6mm x 16mm Button Head Screw	2
8	M6X14BHS	6mm x 14mm Button Head Screw	2
9	M6X10BHS	6mm x 10mm Button Head Screw	2
10	M4X6BHS	4mm x 6mm Button Head Screw	2
11	6MMWASHER	6mm Washer	8
12	6MMLN	6mm Nylon Lock Nut	8
**	BN-SSS-22-18	Butt Connectors	2
**	ZT-300	Cable Ties	3
**	HST-.25-.08-3	Heat Shrink Tube	1
**	17029	Yoshimura Sticker Sheet	1
Optional Parts			
***	070BGUNVTBKT	Universal Turn Signal Bracket Kit	

** Not shown on diagram.

*** The Yoshimura Universal Turn Signal Bracket Kit is to be used with aftermarket stud-mounted turn signals and is sold separately.

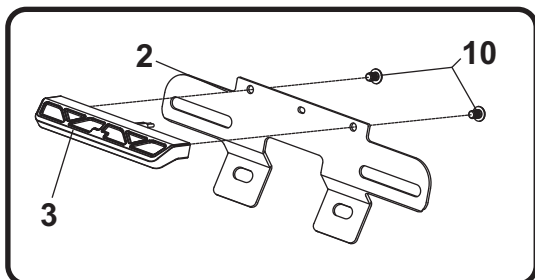
Removal

1. Remove passenger and rider seat.
2. Remove left and right passenger grab rails.
3. Remove the four bolts securing the rear upper cowl to the subframe.
4. Remove the tool kit to access the four fender bolts.
5. While supporting the stock fender assembly, remove the four bolts securing the stock fender to the subframe.
6. Carefully pull down on lower tail section to expose the two tapping screws.
7. Using a small phillips head screw driver, remove the two tapping screws securing the fender assembly to the lower tail section.
8. Disconnect the license plate light and turn signal wires and carefully remove the stock fender assembly.
9. Cut the stock license plate light connector from the stock fender assembly. Be sure to cut at least a 6" section of wire from the connector.
10. Disassemble the stock fender assembly and remove left and right turn signals.

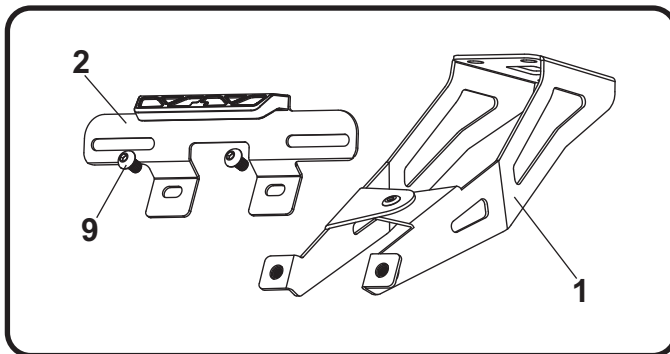
Installation

1. Install (No. 3) *070BG-LH-K1*, Yoshimura license plate light onto (No. 2) *12200-FEBKT*, Yoshimura license plate bracket using (No. 10) *M4X6BHS*, 4mm button head screws provided in the kit.

Note: Slide supplied heat shrink tube over license plate light wires at this time. Keep away from potential heat sources.



2. Lift lower tail section back up to the subframe and secure fender bracket to subframe using the stock bolt and provided (No. 11) *6MMWASHER*, washer and (No. 12) *6MMLN*, nylon lock nuts as shown in the diagram.
3. Install (No. 2) *12200-FEBKT*, license plate bracket onto (No. 1) *14160-FEBKT*, fender eliminator bracket using the provided (No. 9) *M6X10BHS*, 6mm button head screws.

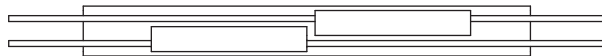


4. Using the *BN-SSS-22-18* butt connectors provided in the kit, connect the Yoshimura license plate light wires to the stock license plate light wires as follows:

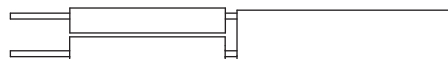
Red -to- Red
Black/Yellow Wire -to- Black

Note: The butt connectors must be offset when splicing into license plate light wires to allow enough room to slide shrink tube over both butt connectors.

CORRECT



INCORRECT



- a) Strip the stock fender light wire ends 1/4" - 1/2" and insert into *BN-SSS-22-18*, butt connectors provided in the kit.
- b) Center the spliced wire ends in the middle and using a heatgun or lighter, apply heat evenly on the outer edges of the butt connector to shrink and hold wires in place.

- c) Making sure that the stripped ends are centered, heat the center of the butt connector evenly until the solder begins to liquify.
- d) Allow to cool completely and tug both ends of the wires to verify that connection is secured.

Scan for link to butt connector instruction video.



5. Install stock left and right turn signals onto (No. 5,6) *14650-TSL/R-BKT*, turn signal brackets.
6. Install (No. 5,6) *14650-TSL/R-BKT*, left and right turn signal brackets and (No. 4) *070BG-LPF*, license plate frame using the (No. 7,8) *M6X16BHS* and *M6X12BHS*, 6mm button head screws as shown in the parts diagram.
7. Route license plate light and turn signal wires under passenger seat and reconnect.
8. Re-install the rear upper cowl using the four stock bolts.
9. Re-install left and right passenger grab rails.
10. Re-install rider and passenger seat.
11. Check for proper function of license plate light, turn signals, brake light, and that all brackets and components are secure prior to riding.