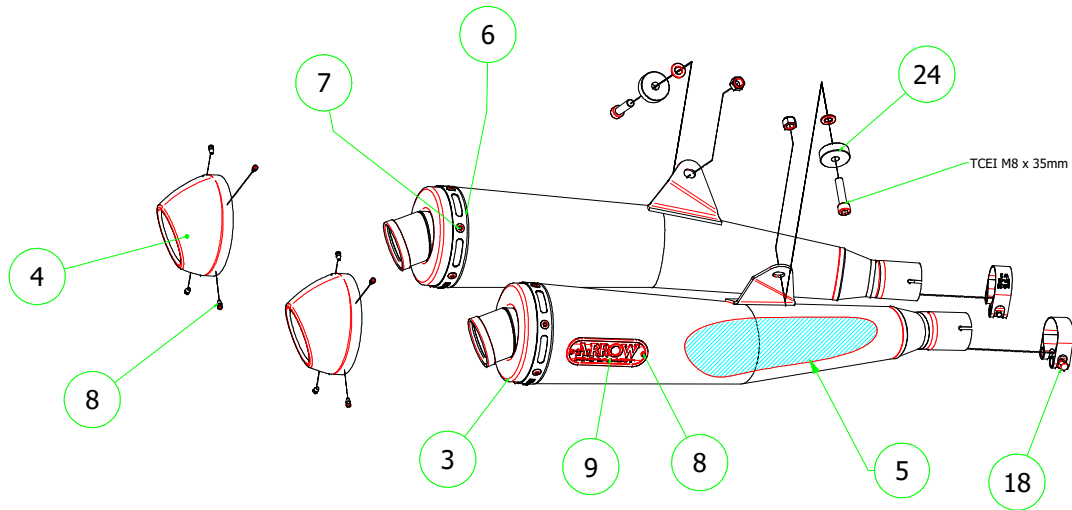


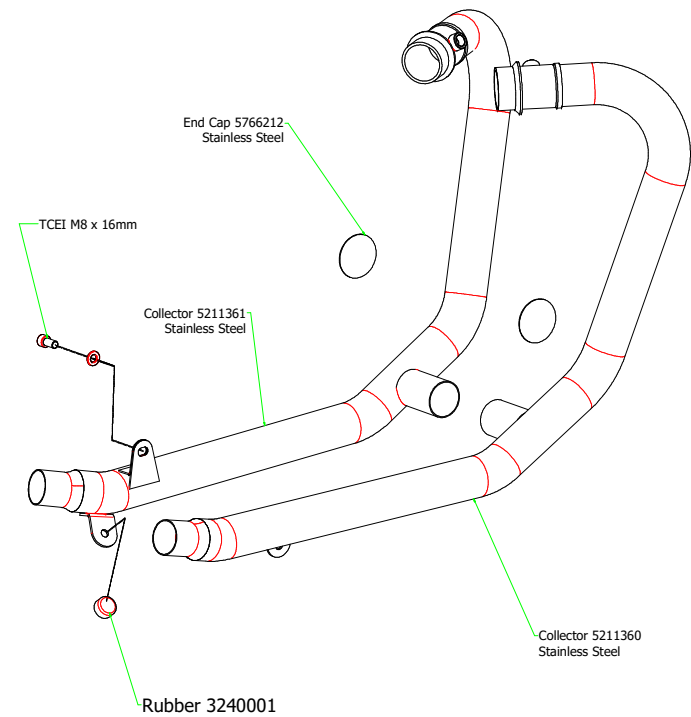
Triumph Thruxton 1200 / 1200 R '16



71851RKI Homologated Nichrom - Carbon

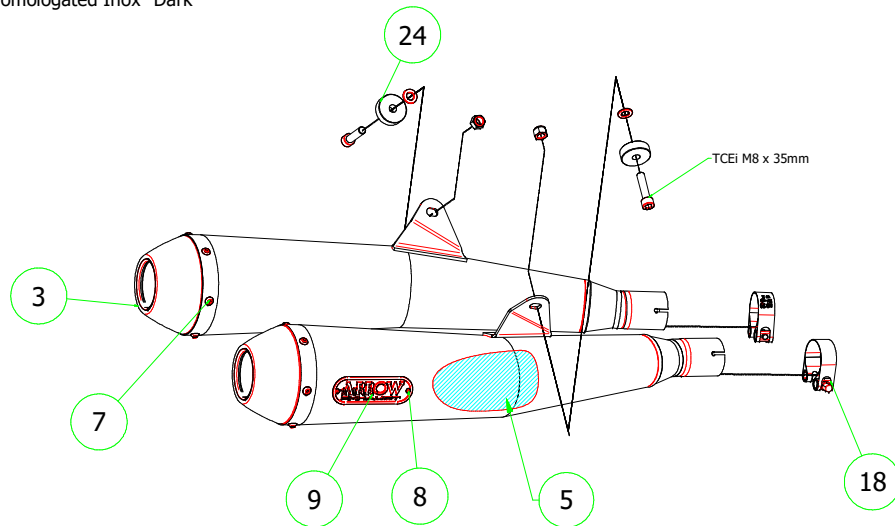


71658MI Racing Collectors



71851PRI Homologated Nichrom

71851PRN Homologated Inox "Dark"



PARTI DI RICAMBIO / SPARE PARTS

ID	DESCRIZIONE / DESCRIPTION	71851PRI cod	71851PRN cod	71851RKI cod
3	Assieme Posteriore / <i>Rear assembly</i>	5010052	5010052	5009623
4	Fondello in carbonio / <i>Carbon fibre end cap</i>			5704046
5	Materiale fonoassorbente / <i>Sound-absorbant material</i>	19007UN	19007UN	19007UN
6	Fascetta di Serraggio / <i>Strap For Rivets</i>			5495445
7	Rivetto inox mm 4.8 / <i>Stainless Steel 4.8 mm Rivet</i>	3896204	3896204	3608011
8	Rivetto allum.mm.3.0 / <i>Aluminium 3.0 mm Rivet</i>	3608016	3608016	3608016
9	Targhetta Arrow / <i>Arrow Plate</i>	5855110	5855110	5855110
18	Fascetta Stringitubo / <i>Hose clip</i>	3080006	3080006	3080006
24	Spessore / <i>Spacer</i>	5180144	5180144	5180144