

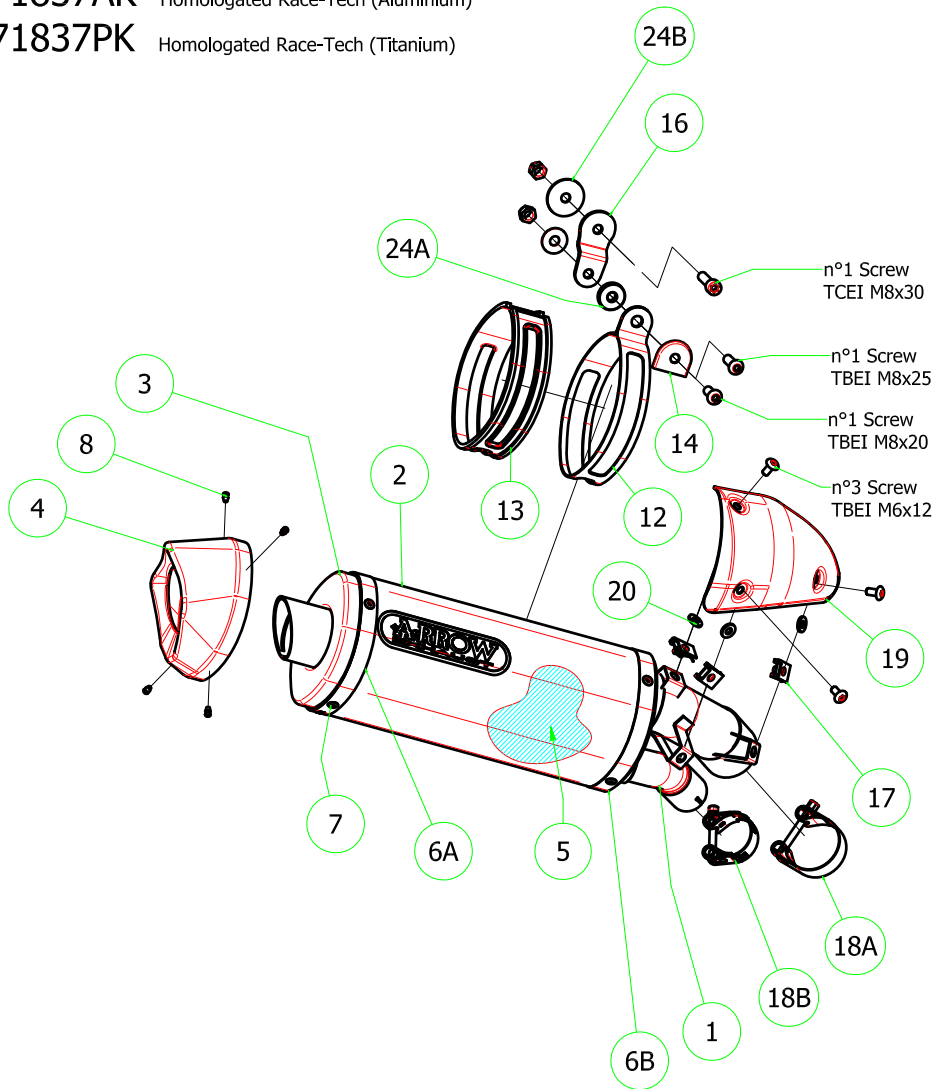
BMW S 1000 XR '15-16



71837AKN Homologated Race-Tech (Aluminium Dark)

71837AK Homologated Race-Tech (Aluminium)

71837PK Homologated Race-Tech (Titanium)



n°1 Screw
TCEI M8x30

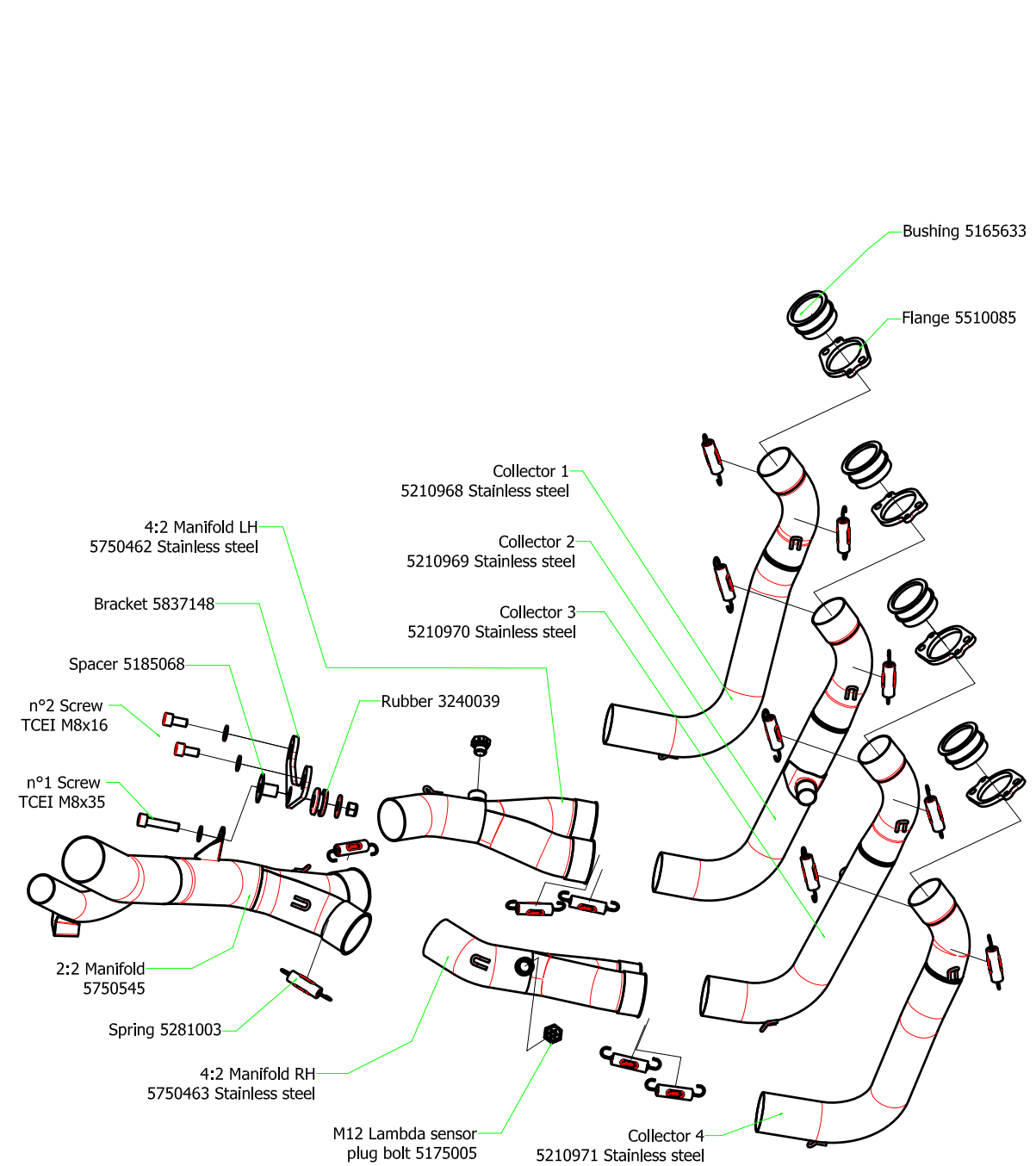
n°1 Screw
TBEI M8x25

n°1 Screw
TBEI M8x20

n°3 Screw
TBEI M6x12

- Using part 24A and screw TBEI M8x25 only for aluminium silencer
- Using screw TBEI M8x20 (without part 24A) only for titanium silencer

71631MI Collectors



Bushing 5165633

Flange 5510085

Collector 1
5210968 Stainless steel

Collector 2
5210969 Stainless steel

Collector 3
5210970 Stainless steel

Rubber 3240039

4:2 Manifold LH
5750462 Stainless steel

Bracket 5837148

Spacer 5185068

n°2 Screw
TCEI M8x16

n°1 Screw
TCEI M8x35

2:2 Manifold
5750545

Spring 5281003

4:2 Manifold RH
5750463 Stainless steel

M12 Lambda sensor
plug bolt 5175005

Collector 4
5210971 Stainless steel

PARTI DI RICAMBIO / SPARE PARTS

ID	DESCRIZIONE / DESCRIPTION	71837AK cod	71837AKN cod	71837PK cod
1	Assieme anteriore / <i>Front assembly</i>	5035254	5035254	5035254
2	Corpo Marmitta / <i>Silencer Sleeve</i>	5257413	5257412	5260886
3	Assieme Posteriore / <i>Rear assembly</i>	5009615	5009615	5009615
4	Fondello in carbonio / <i>Carbon fibre end cap</i>	5704054	5704054	5704052
5	Materiale fonoassorbente / <i>Sound-absorbant material</i>	5690106	5690106	5690106
6A	Fascetta di serraggio posteriore / <i>Rear strap for rivets</i>	5495389	5495389	5495388
6B	Fascetta di serraggio anteriore / <i>Front strap for rivets</i>	5495058	5495058	5495055
7	Rivetto inox mm 4.8 / <i>Stainless Steel 4.8 mm Rivet</i>	3608011	3608011	3608011
8	Rivetto allum.mm.3.0 / <i>Aluminium 3.0 mm Rivet</i>	3608009	3608009	3608010
10	Silenziatore Interno / <i>Db Killer</i>			
11	Seeger / <i>Retain Clip</i>			
12	Fascetta di Sostegno / <i>Silencer Clamp</i>	5480067	5480067	5490007
13	Guarnizione x Fascetta / <i>Clamp Gasket</i>	5630003	5630003	
14	Copri Fascetta / <i>Stainless Steel Clamp Protection</i>	5480004	5480004	
16	Staffa sostegno / <i>Bracket</i>	5843319	5843319	5843319
17	Insero Rapid Nut / <i>Caged nut insert</i>	3245005	3245005	3245005
18A	Fascetta Stringitubo / <i>Hose clip</i>	3080013	3080013	3080013
18B	Fascetta Stringitubo / <i>Hose clip</i>	3080009	3080009	3080009
19	Protezione / <i>Heat Shield</i>	5704145	5704145	5704145
20	Gommino / <i>Rubber</i>	3240015	3240015	3245015
24A	Spessore / <i>Spacer</i>	5180077	5180077	5180077
24B	Spessore / <i>Spacer</i>	5761086	5761086	5761086