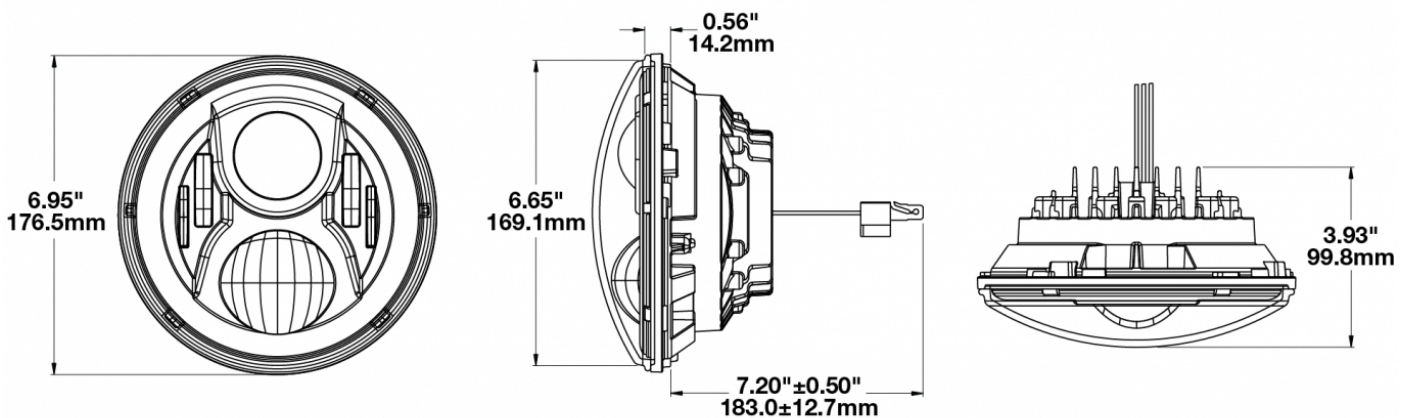




PRODUCT INFORMATION

| | |
|--------------------------------------|-----------------------------------------------------------------|
| Description | 12-24V DOT LED High & Low Beam Headlight with Black Inner Bezel |
| Height | 176.53 (mm) / 6.95 (in) |
| Width | 176.53 (mm) / 6.95 (in) |
| Depth | 99.82 (mm) / 3.93 (in) |
| Shape | Round |
| Outer Lens Material | Polycarbonate |
| Outer Lens Color | Clear |
| Housing Material | Die-Cast Aluminum |
| Housing Color | Gray |
| Bezel Color | Black |
| Retrofits | 2D1 "PAR56" or 7" round headlights |
| Minimum Operating Temperature | -40 (°C) / -40 (°F) |
| Maximum Operating Temperature | 65 (°C) / 149 (°F) |
| Connector or Wiring | H4 |
| Mating Connector | H4 AMP#172615-2 |
| Product Weight | 2.31 (lbs) / 1.05 (kgs) |

PRODUCT DIMENSIONS



ELECTRICAL SPECIFICATIONS

| | |
|-----------------------------------|--------------------------------------------------------------------------------------------------------------------|
| Input Voltage | 12-24 V DC |
| Operating Voltage | 9-32 V DC |
| Transient Spike Protection | 150V Peak @ 1 HZ-100 Pulses |
| Black Wire | Ground |
| White Wire | High Beam |
| Yellow Wire | Low Beam |
| Current Draw | 3.00A @ 12V DC (High Beam) 2.00A @ 12V DC (Low Beam) 1.60A @ 24V DC (High Beam) 1.10A @ 24V DC (Low Beam) |

REGULATORY STANDARDS COMPLIANCE



Buy America Standards
FMVSS 108 Table XIX
IEC IP67

Eco Friendly
FMVSS 108 Table XVIII

PHOTOMETRIC SPECIFICATIONS

| | |
|--------------------------------------|-----------------------------------------------------------------------------|
| Raw Lumen Output | 2,610 (High Beam); 1,770 (Low Beam) |
| Effective Lumen Output | 1,150 (High Beam); 750 (Low Beam) |
| Candela Output | 60,897 (High Beam) 35,003 (Low Beam) |
| Nominal LED Color Temperature | 5000 (K) |
| Beam Pattern(s) | Forward Lighting - High Beam (DOT/ECE) Forward Lighting - Low Beam (DOT) |

