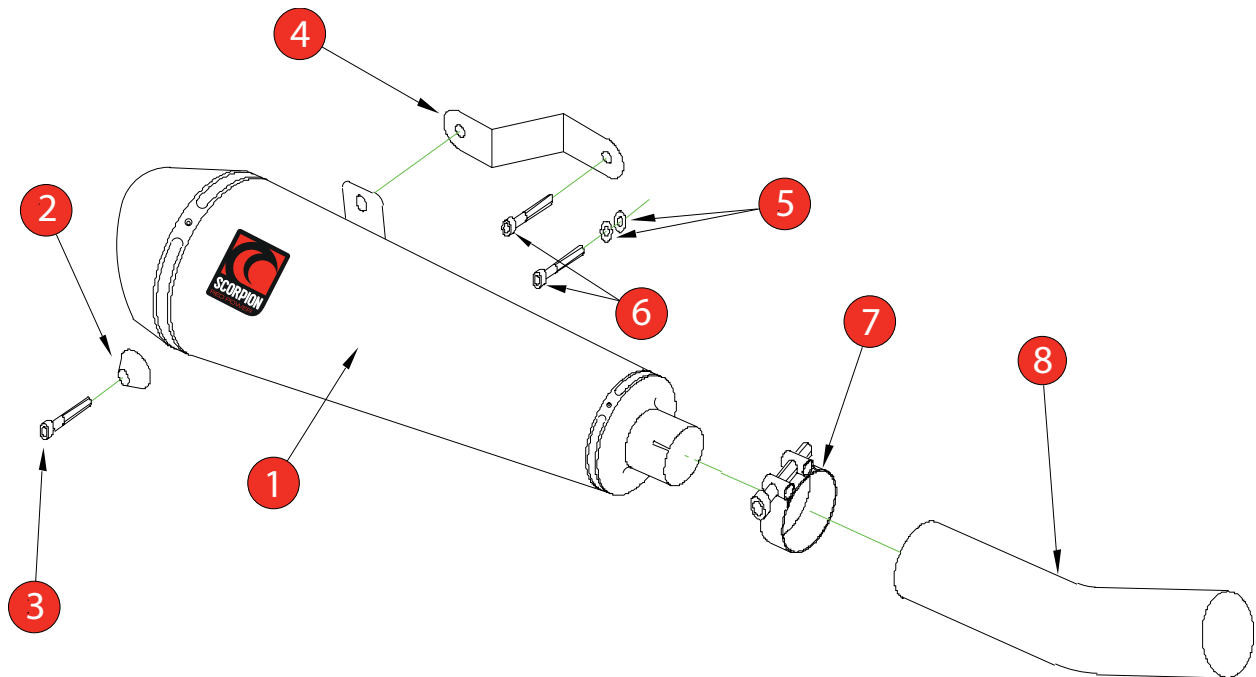


Box: PLOCK 1

BIKE	TRIUMPH SPEED TRIPLE 1050	CARBINE	PART NO.	ETR - 66
YEAR	2008 - ON		FIT KITS	OVAL Z039.11271
NOTES			FEATURES	DB KILLER Z038.10120



- | | |
|---|--|
| 1 275mm Silencer ESC 126 | 6 2 x M8 x 25mm Cap Head Bolts (Z01710073)
(to replace original footrest bolts) |
| 2 Aluminium Bolt Finisher (Z026.20068) | 7 51-55mm Band Clamp (Z016.10002) |
| 3 M* x 16mm Cap Head Bolt (Z017.10808) | 8 Connecting Pipe CP 470 |
| 4 Mounting Bracket (Z015.20949)
(Mount behind footrest top bolt) | |
| 5 2 x M8 x 17mm Washers (Z017.10831)
(Mount behind footrest bottom bolt) | |

E-MARK ROUND	
E-MARK OVAL	BSAU 193a 1990/t3
ISSUE NO.	2
DATE	25/08/09
AUTHORISED	S.Northrop
CHECKED	

NOTE: ENSURE SCORPION SYSTEM IS CLEAR OF MOVING PARTS AND ALL ORIGINAL FUNCTIONS WORK CORRECTLY.



A) Remove original exhaust from bike, taking care to keep all original components in a safe place.

B) Refit Scorpion exhaust as per line diagram above.

C) When fitted take bike for a short ride to ensure all functions are correct.

D) When bike & exhaust are cool enough check all nuts and bolts are still secure.