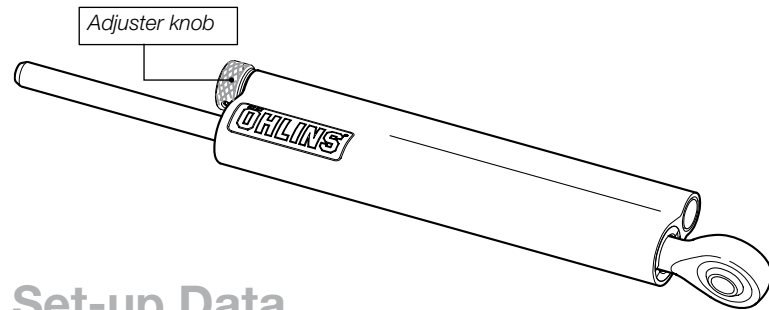


# Adjustments

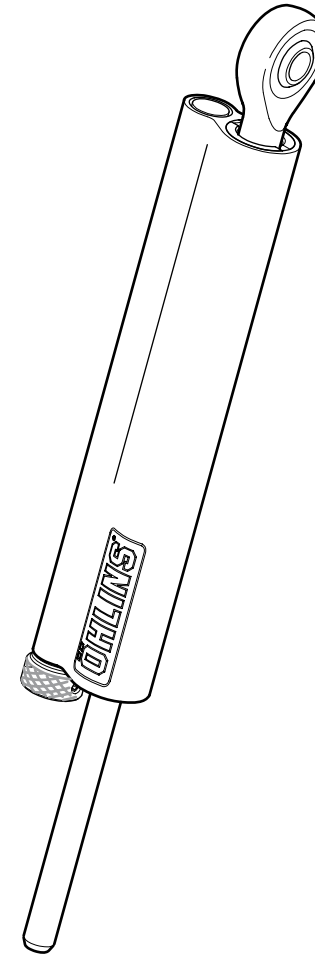
## ⚠ Warning!

Before riding, always make sure that the basic settings made by Öhlins are according to recommended Set-up Data. Read about adjustments and setting up in the Öhlins Owner's Manual before you make any adjustments. Contact an Öhlins dealer if you have any questions about setting up the steering damper.



## Set-up Data

Recommended set-up      10 clicks



Before installing this product, check the contents of the kit. If anything is missing, please contact your nearest Öhlins dealer.

Kit Contents	Part No.	Pcs.
Steering damper, stroke 63	02261-10	1
Frame bracket assembly	02232-03	1
Shims	01430-14	10
Bracket assembly SD	02230-11	1
Sleeve (6/14/15)	02239-01	1
Teflon spacer	02259-01	1
Screw (MC6S 6 x 100)	01046-47	1
Triple clamp bracket	02270-35	1
Sleeve (8/13.5/12.5)	02238-06	1
Screw (M6SF 8 x 45)	00432-05	1
Screw (K6S 8 x 20)	05404-02	1
Washer	00426-04	1
Öhlins sticker	00192-01	2
Öhlins Owner's manual	07261-01	1

Please note that during storage and transportation, especially at high ambient temperature, some of the oil and grease used for assembling may leak and stain the packaging. This is in no way detrimental to the product, wipe off the excessive oil/grease with a cloth.

## ⚠ Warning!

Before installing this product, read the Öhlins Owner's Manual. The shock absorber is an important part of your vehicle and may affect the stability.

👁 Öhlins products are subject to continuous improvement and development, therefore, although these instructions include the most up-to-date information available at the time of printing, minor updates may occur.

To find the latest information contact your Öhlins distributor. Please consult your Öhlins dealer if you have any questions regarding the contents in this document.

Part no. SD 020\_0  
Issued 2008-11-11



## Steering Damper for Yamaha R6 **SD 020**

### Mounting Instructions

© Öhlins Racing AB. All rights reserved. Any reprinting or unauthorized use without the written permission of Öhlins Racing AB is prohibited.

Öhlins Racing AB  
Box 722  
S-194 27 Upplands Väsby, Sweden  
Phone +46 8 590 025 00  
fax +46 8 590 025 80



[www.ohlins.com](http://www.ohlins.com)



# How to install

## ⚠ Warning!

It is advisable to have an Öhlins dealer install the steering damper.

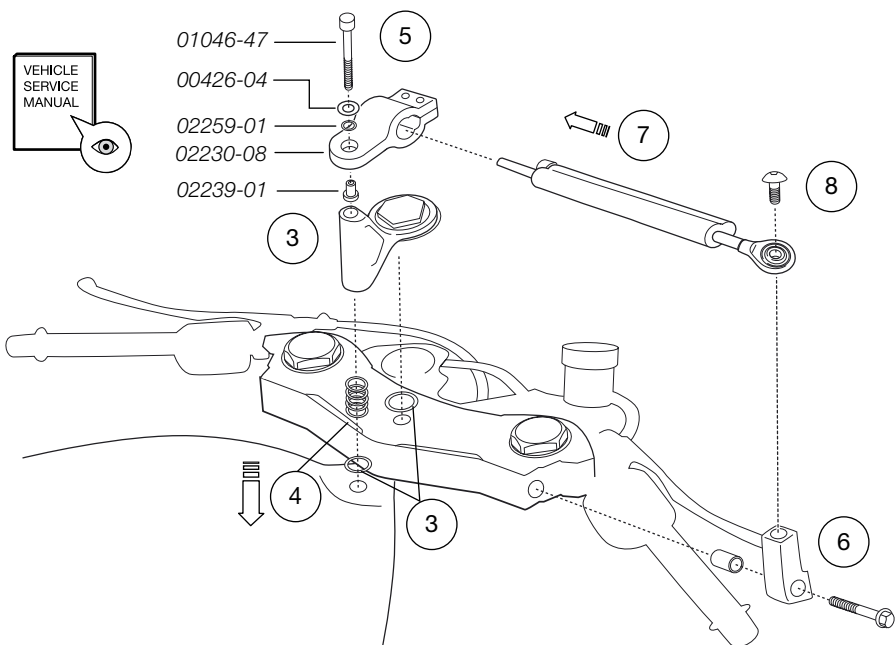
When installing, consult your Vehicle Service Manual.

- 1 Remove the front fuel tank attachment screw.
- 2 Remove the steering stem nut.
- 3 Attach the frame bracket assembly (02232-03) and tighten the new steering stem nut. Use the original washers for the steering stem and fuel tank attachment.

## 👁 Note!

Tighten the top nut of the steering stem to the torque recommended in the motorcycle workshop manual. If no recommended torque is written, tighten to 100 Nm.

- 4 Press down the fuel tank attachment, and at the same time fill up the gap completely with shims (01430-14). Use as many shims as needed to **prevent freeplay between the frame bracket assembly and the fuel tank attachment**.
- 5 Attach the bracket assembly (02230-11) by using sleeve (02239-01), teflon spacer (02259-01), washer (00426-04) and screw (01046-47).



# How to install

## 10

Tighten the bolts to the correct torque.

Screw M5	6 Nm
Screw M6	10 Nm
Screw M8	24 Nm

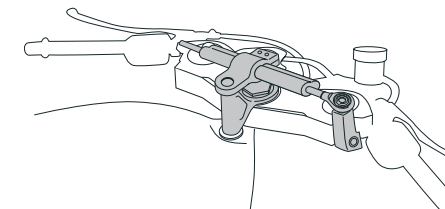
## 11

Set the damper to the recommended set-up in this folder.

## 👉 Caution!

Make sure that all screws are tightened to the correct torque and that nothing fouls or restricts movement of the steering damper.

Öhlins steering damper installed



## 6

Attach the triple clamp bracket to the right side of the triple clamp. Use the sleeve (02238-06) and the screw (00432-05).

## 7

Attach the Öhlins steering damper to the bracket assembly. **Do not tighten yet.**

## 8

Attach the steering damper end eye to the triple clamp bracket. Use the screw (05404-02) provided in this kit.

## 9

Adjust the steering damper by letting it slide in its bracket assembly so that the steering damper uses similar stroke both ways.

## 👁 Note!

Make sure that the steering has clearance for turning both to the left and to the right end positions, and that the damper is not used as a stop.